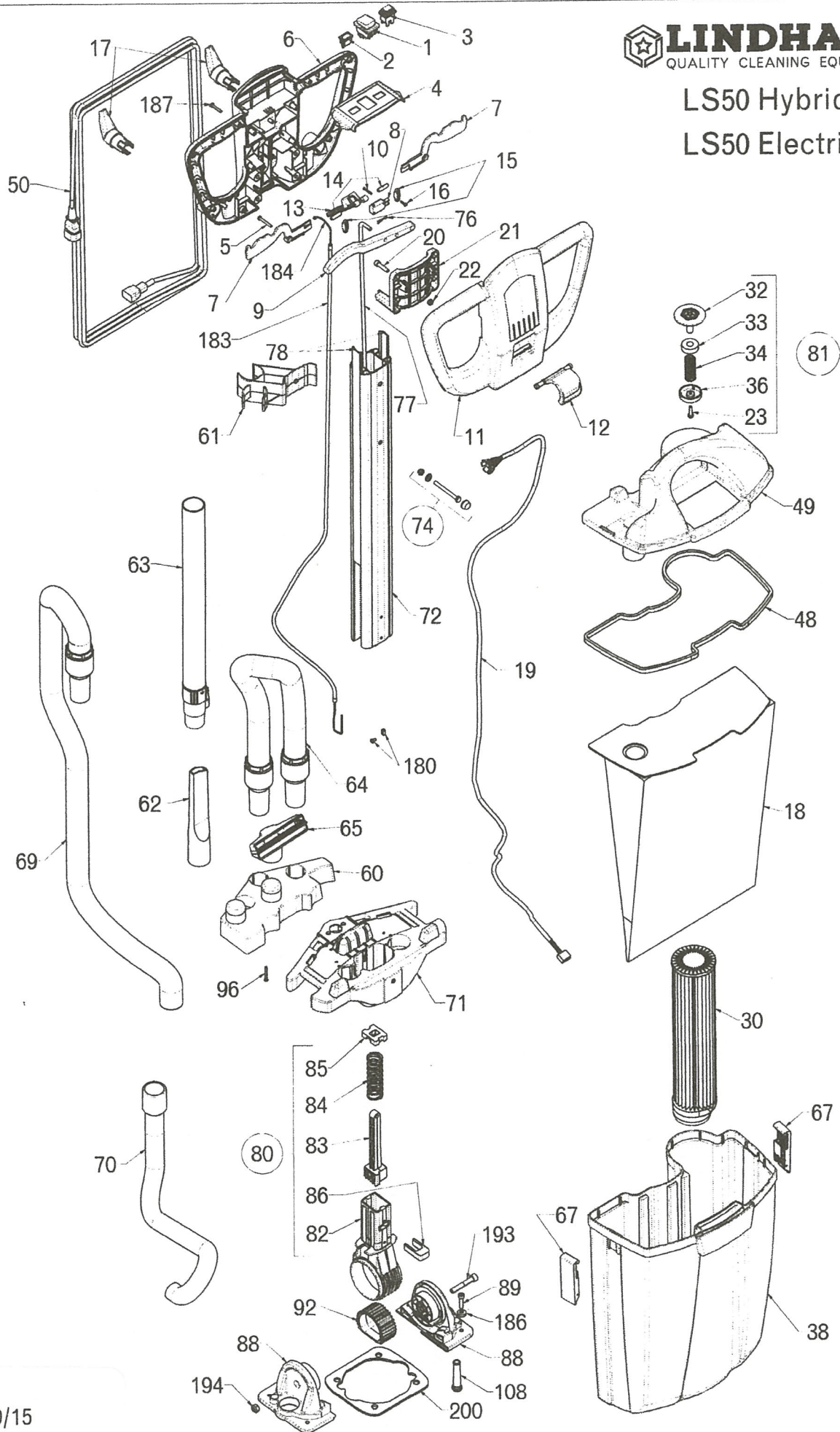
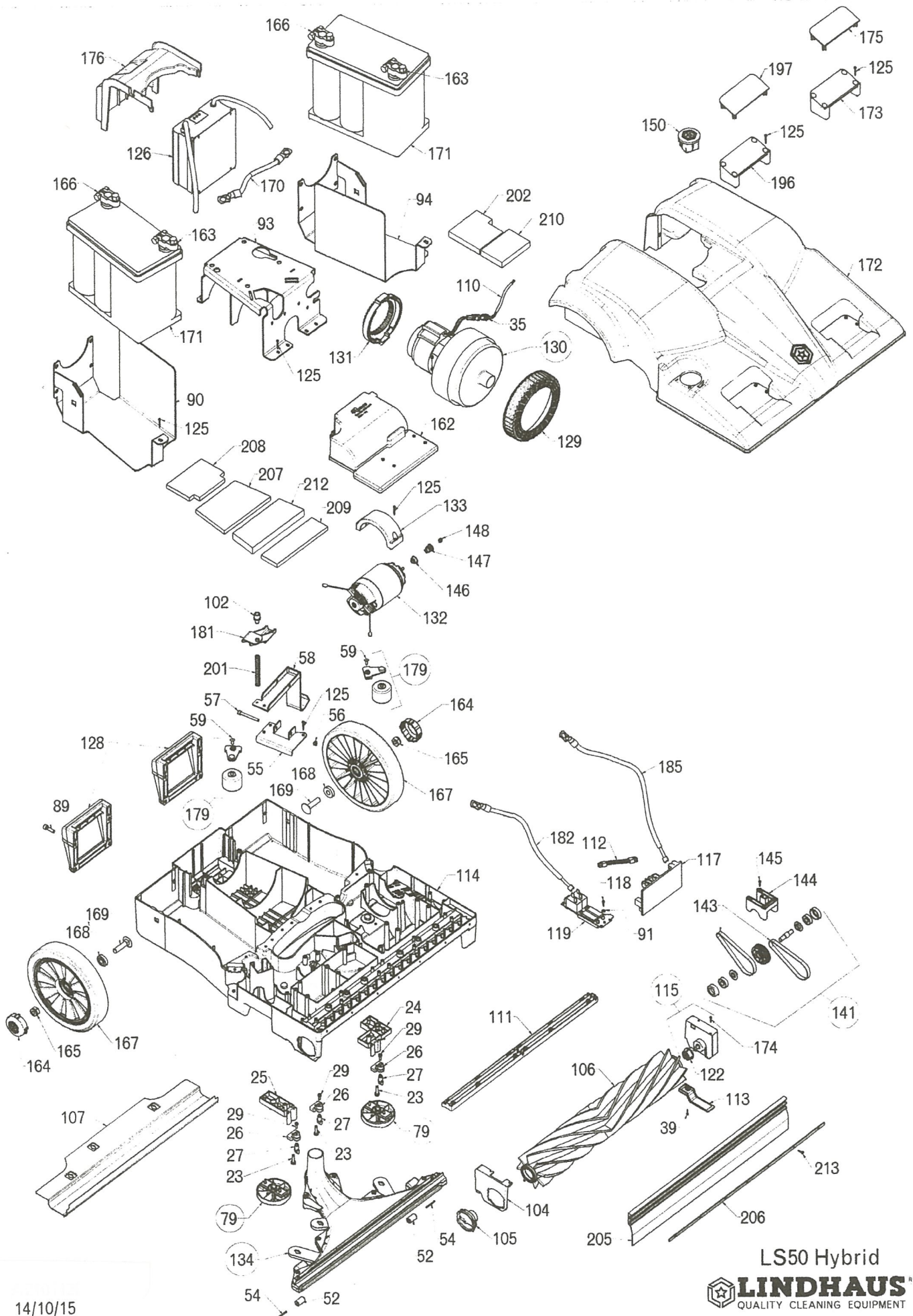
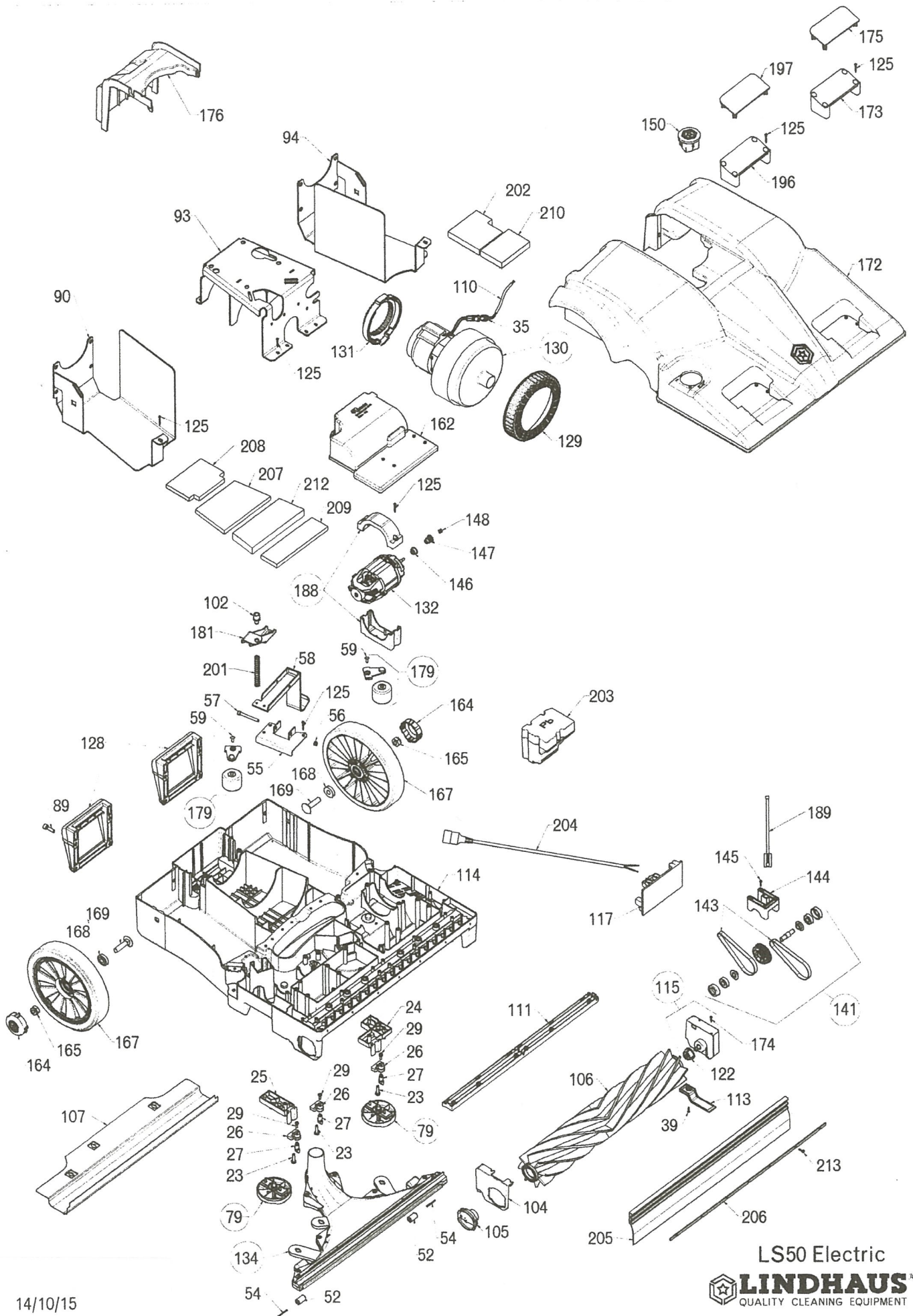


LS50 Hybrid  
LS50 Electric



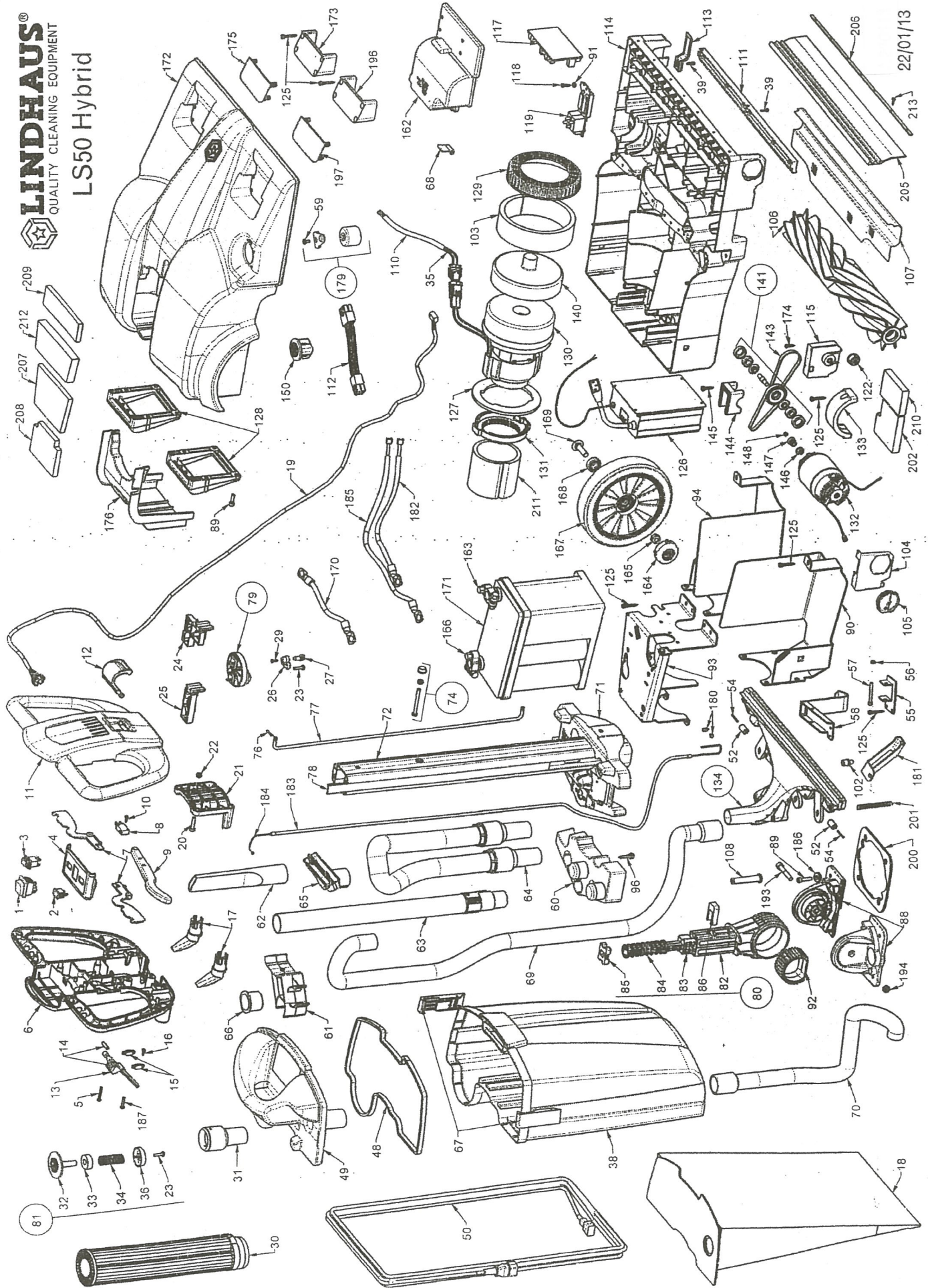






14/10/15

# LS50 Hybrid





VIA BELGIO, 22 Z.I. - 35127 PADOVA - ITALY

Ph. +39 049 8700307 - Fax +39 049 8700605

e-mail: vacuum@lindhaus.it - www.lindhaus.it

Cod.Fiscale - P.IVA - Reg.Imp.PD 02151740285

Capitale Sociale 46.800,00 i.v.

**LINDHAUS U.S.A.**

 P.O. BOX 159 / 12941 EAGLE CREEK PARKWAY  
 SAVAGE, MN 55378

[www.lindhaususa.com](http://www.lindhaususa.com)
[www.lindhaus.net](http://www.lindhaus.net)
[info@lindhaus.com](mailto:info@lindhaus.com)

1-800-498-7526 / 952-707-1131

FAX: 952-707-1134

**PARTS LIST**

EFFECTIVE FROM	DATE	PAGE
<b>01/11/2014</b>	<b>01/11/2014</b>	<b>1/4</b>

**LS50 HYBRID / ELECTRIC**
**MODEL: 182026 (LS50 HYBRID) / 192011 (LS50 ELECTRIC)**

Pos	Part Number	Description
1	023610000	MAIN SWITCH
2_	024260000	INDICATOR LIGHT V.24 / LS50 HYBRID
2_	,020400000	INDICATOR LIGHT V.100-240 / LS50 ELECTRIC
3	023470000	VACUUM SWITCH
4	008181201	SWITCHES PLATE
5	085600009A	SCREW 3.9x25 (SINGLE)
6	008191233	REAR HANDLE
7	008203801	LEVER SWITCH BRUSH MOTOR BLUE
8	024100000	MICROSWITCH BRUSH MOTOR
9	008213805	JOINT LEVER BLUE
10	085530009A	SCREW 2.9x19 (SINGLE)
11_	181091281	HANDLE FRONT / LS50 HYBRID
11_	181951281	HANDLE FRONT / LS50 ELECTRIC
12	008231239	HOOK FRONT TANK
13	014210029	LEVER BASE LIFTING
14	089930009A	AXLE LIFTING LEVER (SINGLE)
15	000070305	CORD CLAMP
16	085610009A	SCREW 2.9x16 (SINGLE)
17	007110101	ROTATING CORD HOOK
18	032280019	MICROPORE VACUUM BAG LS50 16LT (WRAPPING OF 5 PCS)
19	023990320	CORD 7 WIRES
20	089940009A	SCREW M6x25 (SINGLE)
21	008253805	HANDLE BRIDGE BLUE
22	089950009A	NUT M6 (SINGLE)
23	180140009A	SCREW 4.8x22 (SINGLE)
24	009281633	WHEEL SUPPORT RIGHT
25	009291633	WHEEL SUPPORT LEFT
26	009271633	SUPPORT CLIP
27	180271381A	RED CLIP + SCREWS (SINGLE)
29	088020009A	SCREW 3.5x13 (SINGLE)
30	014980000	MOTOR PROTECTION FILTER
31	031370300	MALE SLEEVE
32	009311633	SHAKER PRONG
33	015030315	SHAKER GASKET
34	014900009	SHAKER SPRING



35_	024120028	WIRES + CONNECTOR VAC MOTOR / LS50 HYBRID
35_	,024580028	WIRES + CONNECTOR VAC MOTOR / LS50 ELECTRIC
38	181131681	BAG HOUSING
39	087050009A	SCREW 3.5x16 (SINGLE)
48	181100081	GASKET TOP HANDLE
49	009343804	TOP HANDLE BAG HOUSING BLUE
50	024180020	CORD 3x18 12.5 MT. USA PLUG YELLOW (3 PRONG / 49.2 FT)
52	009390104	SIDE WHEEL
54	011230009	SHAFT
55	014960009	LIFTING SUPPORT
56	181110081A	NUT M5 (SINGLE)
57	181120081A	SCREW M5x45 (SINGLE)
58	014970009	LIFTING LEVER
59	180140009A	SCREW 4.8x22 (SINGLE)
60	009380342	ACCESSORY HOLDER
61	009370104	ACCESSORY HOOK
62	030060310	CREVICE TOOL
63	030550300	TELESCOPIC WAND
64	031970300	EXTENSION HOSE WITH SLEEVES
65	030820300	UPHOLSTERY TOOL
66	009410333	HOSE ADAPTER
67	083570181	KIT SIDE HOOK (1 PC)
68	008760305	BASE HOLES COVER
69	032310300	HOSE L.1210 mm
70	032300300	HOSE L.570 mm
71	008470305	SUPPORT TANKS
72	014480011	WAND ALUMINUM
74	181060081A	SCREW 6x60 + NUT (SINGLE)
76	180110009A	BLOCK PIN (SINGLE)
77	014391609	BAR RELEASE JOINT
78	008750307	EXTRUDED WAND COVER
79	087690081	WHEEL KIT (2 PCS)
80	089790081	JOINT KIT (5 PCS)
81	181070081	SHAKER KIT (4 PCS)
82	008860305	JOINT
83	014610029	BLOCK JOINT
84	014430009	SPRING JOINT
85	014620029	GUIDE SPRING
86	014630029	PLATE BLOCK SPRING
88	180350381	SUPPORT JOINT KIT (2 PCS)
89	180120009A	SCREW M6x20 (SINGLE)
90	014221609	MOUNTING PLATE LEFT
91	087290009A	WASHER 4.3 D12 (SINGLE)
92	014710029	METAL TEETH INSERT
93	014231609	MOUNTING CENTRAL PLATE
94	014241609	MOUNTING RIGHT PLATE
96	087250009A	SCREW 3.5x22 (SINGLE)
102	180290081A	ANTIWEAR CORD GUIDE (SINGLE)
103	014370136	FILTER VACUUM MOTOR
104	014250329	SUPPORT SIDE METAL
105	180360081	BRUSH SUPPORT KIT WITH BEARINGS
106_	180880081	BRUSH ROLLER W/ INSERT BRISTLE 0,25 BLACK [STANDARD]
106_	181220081	BRUSH ROLLER W/ INSERT BRISTLE 0,40 RED (STIFF)
106_	181180081	BRUSH ROLLER W/ INSERT BRISTLE YELLOW (MOST STIFF)
107	015040009	DCS (DEEP CLEANING SYSTEM) CONVERTER STAINLESS STEEL



108	000460307	STRAIN RELIEF D.6 V.100/230/240
110	180330081	WIRES PROTECTION TUBE
111	009421233	CHANEL COVER
112	024010028	BOARDS CONNECTION WIRES
113	008550305	COVER TRANSMISSION
114_	181141281	BASE HOUSING / LS50 HYBRID
114_	181961281	BASE HOUSING / LS50 ELECTRIC
115	089840081	TRANSMISSION SUPPORT COMPLETE
117_	024300000	CIRCUIT CONTROL BOARD V.24 / LS50 HYBRID
117_	,024560000	CIRCUIT CONTROL BOARD V.24 / LS50 ELECTRIC
118	087260009A	SCREW 3.9x22 (SINGLE)
119	023940000	FUSES CIRCUIT BOARD V.24 / LS50 HYBRID
122	088620081	DRIVE JOINT BASE
125	181150009A	SCREW 4.8X45 (SINGLE)
126	023900000	CHARGER BATTERY 24V / LS50 HYBRID
127	014170315	GASKET VAC. MOTOR ADHESIVE
128	008270305	HANDLE REAR
129	008830307	GASKET SUCTION GROUP
130_	181000081	VACUUM MOTOR R31ALSS V.24 CC W.360 / LS50 HYBRID
130_	181970080	VACUUM MOTOR R31ALSS V.120/60 W.600 / LS50 ELECTRIC
130A_	,022200000	THERMAL PROTECTOR
131	000220308	GASKET FAN COVER
132_	051520081	BRUSH MOTOR MP77 V.24 CC W.150 / LS50 HYBRID
132_	,051600080	BRUSH MOTOR R74/45 V.120/60 W.300 / LS50 ELECTRIC
132A_	021260000	CARBON BRUSH FOR BRUSH MOTOR R73 (SET OF TWO)
133	008580305	BRIDGE BRUSH MOTOR
134	181081281	SUCTION NOZZLE COMPLETE
140	008790300	CONVEYOR VAC MOTOR
141	180150081	DOUBLE PULLEY KIT (1 PC)
143	014400300	TIMING BELT 8.5mm
144	008590305	BRIDGE DOUBLE TRANSMISSION
145	085570009A	SCREW 3.5x32 (SINGLE)
146	180310029	SPACER PINION
147	002880029	PINION
148	180160009A	NUT M4 (SINGLE)
150	009301633	CUP WITH LOGO
162	008620305	COVER MOTOR - CIRCUIT BOARD
163	014070014	BATTERY POLE (-) / LS50 HYBRID
164	180173881	COVER REAR WHEELS BLUE (SET OF 2)
165	180180009A	NUT M10 AB (SINGLE)
166	014060014	BATTERY POLE (+) / LS50 HYBRID
167	060230081	REAR WHEEL D.200
168	180190009A	SPACER REAR WHEEL (SINGLE)
169	180200009A	SCREW WHEEL M10x45 (SINGLE)
170	024060012	BATTERY - BATTERY CABLE / LS50 HYBRID
171	023960000	BATTERY OPTIMA YT S 2.7 12V / LS50 HYBRID
172	180323881	BASE COVER WITH BLUE LOGO
173	014270029	FRONT HANDLE RIGHT
174	088020009A	SCREW 3.5x13 (SINGLE)
175	008653805	COVER FRONT HANDLE RIGHT BLUE
176	180584181	COVER BATTERY CHARGER
179	089903881	SIDE WHEELS BLUE, SUPPORTS, SCREWS (SET OF 2 / 6 PCS TOTAL)
180	014670009	CORD BLOCK
181	014291609	SUPPORT PLATE
182	024050012	BATTERY - BOARD CABLE BLACK / LS50 HYBRID



183	014690009	CORD PROTECTION GUIDE
184	014680009	FLEX STEEL CORD
185	024040012	BATTERY - BOARD CABLE RED / LS50 HYBRID
186	180210009A	WASHERS 6x20 (SINGLE)
187	086970009A	SCREW 3.9x32 (SINGLE)
188	181980381	KIT MOTOR SUPPORT / LS50 ELECTRIC (2 PCS)
189	,0245700000	SPEED SENSOR / LS50 ELECTRIC
193	180250009A	SCREW M8x50 (SINGLE)
194	180260009A	NUT M8 AB (SINGLE)
196	014280029	FRONT HANDLE LEFT
197	008663805	COVER FRONT HANDLE LEFT BLUE
200	014300315	JOINT GASKET
201	014320009	SPRING BASE LIFTING
202	014550316	SOUND INSULATION
203	014160000	BALLAST PB
204	,024720028	INTERNAL CABLE
205	180370381	FRONT BUMPER
206	014920009	STAINLESS STEEL PLATE
207	014340316	FILTER INTAKE COOLING AIR
208	014350316	FILTER EXHAUST COOLING AIR
209	014360316	FILTER EXHAUST SUCTION AIR
210	014700316	SOUND INSULATION
211	010210016	FOAM FILTER MOTOR
212	014720016	FOAM FILTER BASE
213	085590009A	SCREW 3.9x13 (SINGLE)

**ENCAPSULATION IS LOW MOISTURE CARPET CLEANING METHOD / USE VACUUM WITH DCS CONVERTER [#107]**

CHE-7000	PURE POWER / OXY-GEN - 12 QUARTS (ENCAPSULATION CARPET CLEANER)
MIS-7200	2 LITER – ALL ANGLE SPRAYER BOTTLE (DILUTE / APPLY CLEANERS)