

VALZER BODY
 GREEN _SILVER BLUE



VIA BELGIO, 22 Z.I. - 35127 PADOVA - ITALY

Ph. +39 049 8700307 - Fax +39 049 8700605

e-mail: vacuum@lindhaus.it - www.lindhaus.it

Cod.Fiscale - P.IVA - Reg.Imp.PD 02151740285

Capitale Sociale 46.800,00 i.v.

LINDHAUS U.S.A.

P.O. BOX 159 / 12941 EAGLE CREEK PARKWAY
SAVAGE, MN 55378

www.lindhaususa.com

www.lindhaus.net

info@lindhaus.com

1-800-498-7526 / 952-707-1131

FAX: 952-707-1134

PARTS LIST

EFFECTIVE FROM

DATE

PAGE

1/2

VALZER - BODY

MODEL: 031207 (VALZER - 12" / NEW AGE / GREEN)

Pos	Part Number	Description
1_	,080173781	BAG HOUSING COVER BLUE
1_	,080171481	BAG HOUSING COVER GREEN
2	,087540000	GRILL COMPLETE
3	,000160304	FILTER HOLDER
4_	,082720281	BAG DOOR LATCH + SPRING DARK GREY / BLUE
4_	,082721481	BAG DOOR LATCH + SPRING GREEN
5_	,011410316	FILTER, INTERNAL FOAM
5_	,087170081	CARBON ACTIVE FILTERS (5 PACK)
6	,084360081	BAG ENTRANCE WITH SAFETY SUPPORT
7	084520081	BUTTON+SUPPORT+SPRING 2 POSITION
8	084580081	SAFETY SUPPORT KIT (4 PCS)
10_	,086273781	BAG HOUSING BLUE
10_	,086271481	BAG HOUSING GREEN
11	,080790081	RELEIF VALVE KIT (2 PCS)
13	010260307	O-RING
14	000150307	SLEEVE TUBE
15	080840381	INTERNAL TUBE
16	001690110	STRAIN RELIEF GREY
17	,080770281	HANDLE GRIP [ONLY]
18	010270307	O RING
19	084590081	CHROME TUBE - 2 POSITION WITH BUTTON LOCK
21	,084430281	HANDLE TUBE ASSEMBLY
22_	,083456380	ELECTRIC SYSTEM ASSEMBLY BLUE
22_	,083452980	ELECTRIC SYSTEM ASSEMBLY GREEN
23	021950320	CORD 2x17 10.7 MT. USA PLUG BLACK (2 PRONG / 35FT)
24	000460307	STRAIN RELIEF D.6 V.100/230/240
25	000070305	CORD CLAMP
26	,021340000	VACUUM SENSOR
28	,021050300	MAIN SWITCH 15A 3 WAY
29	,020020000	INDICATOR LIGHT
31	,001880205	LOWER CORD HOOK LIGHT GREY
32_	,002033701	HANDLE COVER BLUE
32_	,086611481	HANDLE COVER GREEN
34	,001980306	COMB WIRE HOLDER
35_	,001903701	FRAME HANDLE BLUE
35_	,001901401	FRAME HANDLE GREEN
36	010600016	FILTER UPPER
37	000200308	MOTOR GASKET
38	020340400	TERMINAL BLOCK 3 POLES

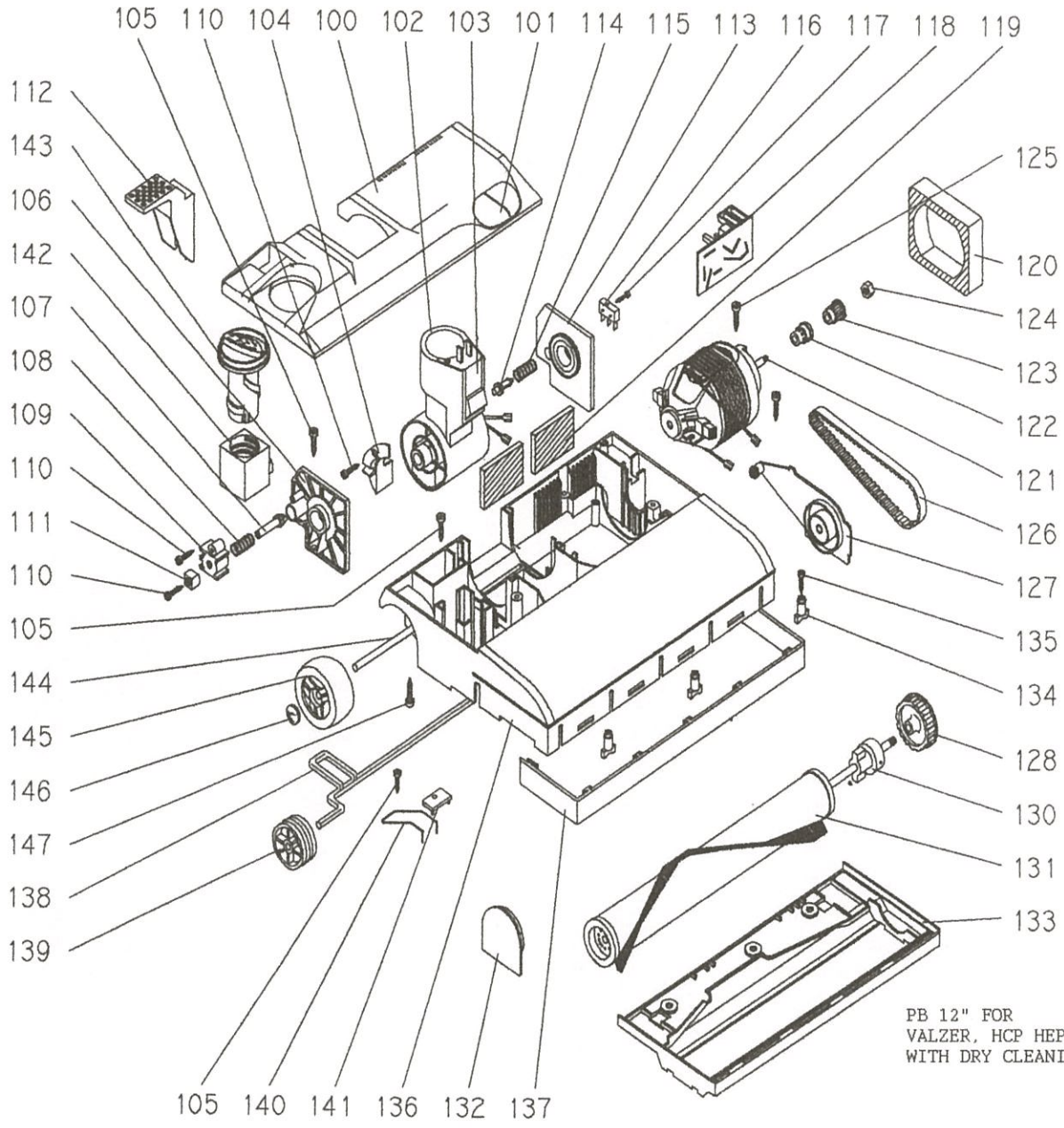
39	011790016	FOAM MOTOR FILTER
40	,000210308	MOTOR GASKET
41	,084440281	BOTTON COVER KIT (1 PC)
42	003360100	EXHAUST GRILL
43_	085350081	EXHAUST MICROFILTER (12 PACK) [HF6/VAL/HCP/RX/CHP/ACT/DYN/DIA/LB4]
43_	030640000	HEPA FILTER
43_	,030650000	CARBON ACTIVE EXHAUST FILTER
44_	,083633781	FRONT GRILL BLUE
44_	,083632981	FRONT GRILL GREEN
45	,005200201	BUTTON LIGHT GREY
46	012980009	HANDLE SPRING
49_	,003293701	VACUUM MOTOR HOUSING BLUE
49_	,003291401	VACUUM MOTOR HOUSING GREEN
50	011810307	O-RING 31x43
51	,083620080	CURVE SUPPORT
52	003390105	UPPER CURVE DP5
54_	,087600281	INNER VACUUM MOTOR HOUSING BLUE
54_	,083800281	INNER VACUUM MOTOR HOUSING GREEN
56	,083480080	MOTOR CLAMP HPRO 3 WIRES
57_	051350080	VACUUM MOTOR R26APSS (HE) V.120/60 W.750
57A_	022290000	CARBON BRUSH R26 (SET OF TWO)
57B_	,022200000	THERMAL PROTECTOR
58	010220016	FILTER, FOAM MOTOR
61	,002480003	4 CONTACT HOUSING COVER
62	,002400003	4 CONTACT HOUSING
63	,003230001	VACUUM SENSOR ADAPTOR
	,032510019	DH3 BAGS (10 BAGS + 2 MICROFILTERS + 1 MOTOR PROTECT FILTER)
	_031740310	ROUND DUSTING BRUSH WITH NATURAL BRISTLES (D.38mm 1-1/2")
	_031110300	UPHOLSTERY TOOL WITH NATURAL BRISTLE [COMPLETE] (D.38mm 1-1/2")
	_030900300	UPHOLSTERY TOOL, NATURAL BRISTLE BRUSH [ONLY]
	_030820300	UPHOLSTERY TOOL WITH CENTER STRIP [COMPLETE] (D.38mm 1-1/2")
	_030740300	UPHOLSTERY TOOL, BLACK CENTER STRIP BRUSH [ONLY]
	_080070081	HOSE CRUSHPROOF 5 FT (D.38mm 1-1/2")
	_086700081	HOSE CRUSHPROOF 9 FT (D.38mm 1-1/2")
	_030850310	EXTENSION TUBE (D.38mm 1-1/2")
	_030550300	TELESCOPIC WAND (D.38mm 1-1/2")

HARD FLOOR ATTACHMENTS TO MAKE VALZER 5 INTO ELECTRIC BROOM

_088753681	HARD FLOOR TOOL LOCKING / WHEELED [COMPLETE]
_088760081	FELT PAD CLIP ON ATTACHMENT FOR HARD FLOOR TOOL LOCKING

ATTACHMENTS TO MAKE VALZER 5 INTO ELECTRIC BACKPACK / BLOWER

_083540100	BLOWER PORT [ACCESSORY TO CONVERT INTO BLOWER]
_086750000	BACKPACK STRAP / HARNESS
_031400300	BACKPACK ACCESSORY BAG
_031410300	BACKPACK PAD WITH BELT



PB 12" FOR
VALZER, HCP HEPA,
WITH DRY CLEANING SYSTEM



VIA BELGIO, 22 Z.I. - 35127 PADOVA - ITALY

Ph. +39 049 8700307 - Fax +39 049 8700605

e-mail: vacuum@lindhaus.it - www.lindhaus.it

Cod.Fiscale - P.IVA - Reg.Imp.PD 02151740285

Capitale Sociale 46.800,00 i.v.

LINDHAUS U.S.A.

P.O. BOX 159 / 12941 EAGLE CREEK PARKWAY
SAVAGE, MN 55378

www.lindhaususa.com

www.lindhaus.net

info@lindhaus.com

1-800-498-7526 / 952-707-1131

FAX: 952-707-1134

PARTS LIST

EFFECTIVE FROM

DATE

PAGE

1/2

VALZER - POWER BRUSH 12" WITH DEEP CLEANING SYSTEM

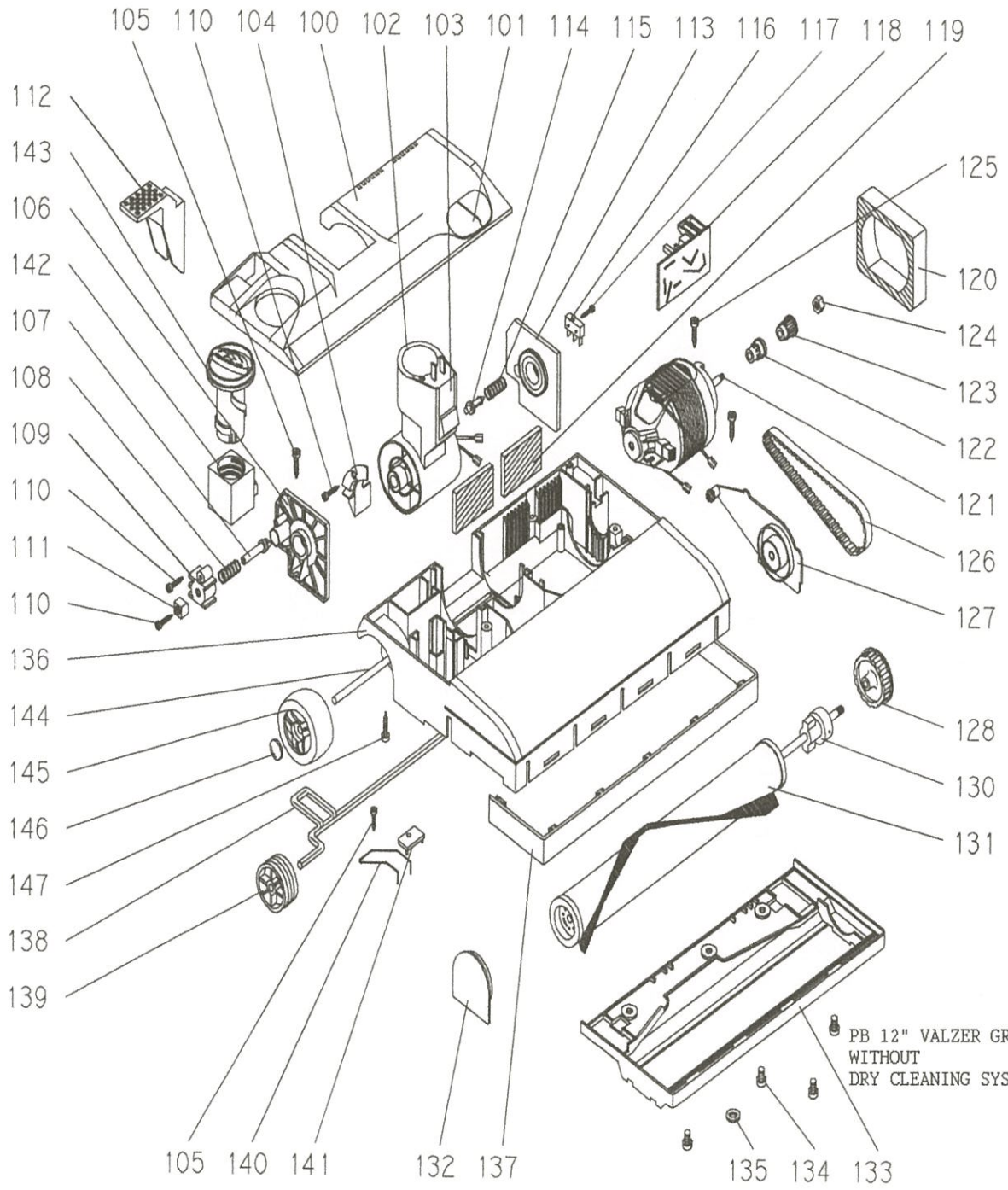
MODEL: 031207 (VALZER - 12" / NEW AGE)

Pos	Part Number	Description
99_	,085150081	THROAT COVER WITH SPRING, FELT STRIP
99A_	,011000017	THROAT COVER FELT STRIP [ONLY]
100	,083963781	MOTOR COVER VALZER NEW AGE BLUE
101	,083950081	LENS SET RED AND GREEN
102	,084170380	JOINT COMPLETE DOMESTIC 2 WIRE
103	083940080	KIT, BUTTON, FASTON, GUIDE, COVER
104	,003820005	JOINT PIN SLIDE
105	085590009A	SCREW 3.9x13 (SINGLE)
106	080430381	RIGHT CONNECTOR SUPPORT
107	000840036	PLUNGER
108	010390009	SPRING, DÉTENTE
109	000650036	BUSHING
110	085610009A	SCREW 2.9x16 (SINGLE)
111	000970305	SLIDE
112_	,001920205	FOOT PEDAL LIGHT GRAY
112_	,001920305	FOOT PEDAL BLACK
113	080440381	SUPPORT LEFT JOINT
114	000670036	SWITCH ACTIVATOR PIN
115	010480009	SPRING SWITCH ACTIVATOR PIN
116	020640000	MICROSWITCH
117	086950009A	SCREW 2.2x16 (SINGLE)
118	,020610000	CIRCUIT BOARD M30 (12") V.120 W.180
119	010720316	EXHAUST FILTER
120	010580016	FILTER BRUSH MOTOR
121_	050030080	BRUSH MOTOR R73/25V 120V 180W
121A_	021260000	CARBON BRUSH FOR BRUSH MOTOR R73 (SET OF TWO)
121B_	,015210009	NUT M5, BRUSH MOTOR
122	,002890029	METAL SPACER
123	,002880029	METAL PULLEY
124_	,010340009	NUT M6
124_	,010490009	NUT, PINION
125	085560009A	SCREW 3.9x16 (SINGLE)
126	010790300	TIMING BELT 7mm
127	,080360011	TRANSMISSION LEFT SUPPORT WITH BEARINGS
128	,086160381	BRUSH PULLEY WITH METAL INSERT
130	,080880081	BRUSH SHAFT M30 (12")
131_	,081730301	BRUSH ROLLER M30 (12") 2 BRISTLE [STANDARD]
131_	,081710301	BRUSH ROLLER M30 (12") 1 BRISTLE
132	,080370011	RIGHT BRUSH SUPPORT WITH BEARINGS

133	,005860333	BRUSH SHOE PLATE M30 (12")
134	087491381A	ROLLER COVER CLIP (SINGLE)
135	085540009A	SCREW 3.5x9.5 TG (SINGLE)
136	,087563781	BASE HOUSING M30 (12") WITH CLIPS VALZER NEW AGE BLUE
137_	,000600212	BUMPER M30 (12") LIGHT GREY
137_	,000600312	BUMPER M30 (12") BLACK
138	011320029	FRONT AXLE
139	002260000	FRONT WHEEL RUBBER
140	010430009	SPRING
141	000680036	SPRING STOP PLATE
142	000990305	BRUSH HEIGHT ADJUSTER
143	,003750204	ADJUSTING KNOB LIGHT GREY
144	011380009	REAR AXLE
145	002270000	REAR BIG WHEEL RUBBER
146	012840009	WHEEL RETAINER CAP
147	086440009A	SCREW 3.5x19 (SINGLE)
	,003243001	DCS (DEEP CLEANING SYSTEM) CONVERTER

ENCAPSULATION IS LOW MOISTURE CARPET CLEANING METHOD / USE VACUUM WITH DCS CONVERTER

	CHE-7000	PURE POWER / OXY-GEN - 12 QUARTS (ENCAPSULATION CARPET CLEANER)
	MIS-7200	2 LITER – ALL ANGLE SPRAYER BOTTLE (DILUTE / APPLY CLEANERS)
PBR	,094246380	VALZER PB 12" POWER NOZZLE REPLACEMENT NEW AGE BLUE [COMPLETE]



PB 12" VALZER GREEN, HCP HEPA , DP5
WITHOUT
DRY CLEANING SYSTEM



VIA BELGIO, 22 Z.I. - 35127 PADOVA - ITALY

Ph. +39 049 8700307 - Fax +39 049 8700605

e-mail: vacuum@lindhaus.it - www.lindhaus.it

Cod.Fiscale - P.IVA - Reg.Imp.PD 02151740285

Capitale Sociale 46.800,00 i.v.

LINDHAUS U.S.A.

P.O. BOX 159 / 12941 EAGLE CREEK PARKWAY
SAVAGE, MN 55378

www.lindhaususa.com

www.lindhaus.net

info@lindhaus.com

1-800-498-7526 / 952-707-1131

FAX: 952-707-1134

PARTS LIST

EFFECTIVE FROM

DATE

PAGE

1/2

VALZER - POWER BRUSH 12"

MODEL: 031207 (VALZER - 12" / GREEN)

Pos	Part Number	Description
100_	,083961481	BASE HOSUING COVER GREEN
100A_	,085150081	THROAT COVER WITH SPRING, FELT STRIP
100B_	,011000017	THROAT COVER FELT STRIP [ONLY]
101	,083950081	LENS SET RED AND GREEN
102	,084170380	JOINT COMPLETE DOMESTIC 2 WIRE
103	083940080	KIT, BUTTON, FASTON, GUIDE, COVER
104	,002280305	JOINT PIN SLIDE
105	085590009A	SCREW 3.9x13 (SINGLE)
106	080430381	RIGHT CONNECTOR SUPPORT
107	000840036	PLUNGER
108	010390009	SPRING, DÉTENTE
109	000650036	BUSHING
110	085610009A	SCREW 2.9x16 (SINGLE)
111	000970305	SLIDE
112_	,001920105	FOOT PEDAL DARK GRAY
112_	,001920205	FOOT PEDAL LIGHT GRAY
113	080440381	SUPPORT LEFT JOINT
114	000670036	SWITCH ACTIVATOR PIN
115	010480009	SPRING SWITCH ACTIVATOR PIN
116	020640000	MICROSWITCH
117	086950009A	SCREW 2.2x16 (SINGLE)
118	,020610000	CIRCUIT BOARD M30 (12") V.120 W.180
119	010720316	EXHAUST FILTER
120	010580016	FILTER BRUSH MOTOR
121_	050030080	BRUSH MOTOR R73/25V 120V 180W
121A_	021260000	CARBON BRUSH FOR BRUSH MOTOR R73 (SET OF TWO)
121B_	,015210009	NUT M5, BRUSH MOTOR
122	,002890029	METAL SPACER
123	,002880029	METAL PULLEY
124_	,010340009	NUT M6
124_	,010490009	NUT, PINION
125	085560009A	SCREW 3.9x16 (SINGLE)
126	010790300	TIMING BELT 7mm
127	,080360011	TRANSMISSION LEFT SUPPORT WITH BEARINGS
128	,086160381	BRUSH PULLEY WITH METAL INSERT
130	,080880081	BRUSH SHAFT M30 (12")
131_	,081730301	BRUSH ROLLER M30 (12") 2 BRISTLE [STANDARD]
131_	,081710301	BRUSH ROLLER M30 (12") 1 BRISTLE
132	,080370011	RIGHT BRUSH SUPPORT WITH BEARINGS

133	,000570325	BRUSH SHOE PLATE M30 (12")
134	,010360009	SCREW M6x9
135	,011640009	STAR WASHER
136_	,080471481	BASE HOUSING M30 (12") GREEN
136A_	,010670014	GROMMET, BRASS (SCREW THREADS)
137_	,000600112	BUMPER M30 (12") DARK GREY
137_	,000600212	BUMPER M30 (12") LIGHT GREY
138	011320029	FRONT AXLE
139	002260000	FRONT WHEEL RUBBER
140	010430009	SPRING
141	000680036	SPRING STOP PLATE
142	000990305	BRUSH HEIGHT ADJUSTER
143_	,003750104	ADJUSTING KNOB DARK GREY
143_	,003750204	ADJUSTING KNOB LIGHT GREY
144	011380009	REAR AXLE
145	002270000	REAR BIG WHEEL RUBBER
146	012840009	WHEEL RETAINER CAP
147	086440009A	SCREW 3.5x19 (SINGLE)
PBR	,094242980	VALZER PB M30 (12") POWER BRUSH REPLACEMENT GREEN [COMPLETE]