

VALZER 5
USA

LINDHAUS[®]
QUALITY CLEANING EQUIPMENT



VIA BELGIO, 22 Z.I. - 35127 PADOVA - ITALY

Ph. +39 049 8700307 - Fax +39 049 8700605

e-mail: vacuum@lindhaus.it - www.lindhaus.it

Cod.Fiscale - P.IVA - Reg.Imp.PD 02151740285

Capitale Sociale 46.800,00 i.v.

LINDHAUS U.S.A.

P.O. BOX 159 / 12941 EAGLE CREEK PARKWAY
SAVAGE, MN 55378

www.lindhaususa.com

www.lindhaus.net

info@lindhaus.com

1-800-498-7526 / 952-707-1131

FAX: 952-707-1134

PARTS LIST

EFFECTIVE FROM

DATE

PAGE

01/06/2015

1/2

VALZER 5 ECO FORCE - BODY

MODEL: 031207 (VALZER 5)

Pos	Part Number	Description
1	080173645	BAG HOUSING COVER WHITE
3	100093001	GRILL FILTER HOLDER RED
4	082724581	BAG DOOR LATCH + SPRING BLUE
5_	015230316	INTERNAL FILTER
5_	087170081	CARBON ACTIVE FILTERS (5 PACK)
6	084364581	BAG ENTRANCE WITH SAFETY SUPPORT
7	084520081	HANDLE BUTTON ASSEMBLY 2 POSITION
8	084580081	SAFETY SUPPORT KIT (4 PCS)
10	181533681	BAG HOUSING WHITE
12	000260301	CENTRAL EXTENSION TUBE
13	010260307	O-RING
14	000150307	SLEEVE TUBE
15	080840381	INTERNAL TUBE
16	001690110	STRAIN RELIEF GREY
17	080774581	HANDLE GRIP
18	010270307	O RING
19	084590081	CHROMATE TUBE - 2 POSITION WITH BUTTON LOCK
21	084424581	HANDLE TUBE ASSEMBLY 2 POSITION
22	181713680	ELECTRIC SYSTEM ASSEMBLY VALZER 5 WHITE V.120/60 3 WAY
23	021950320	CORD 2x17 10.7 MT. USA PLUG BLACK (2 PRONG / 35FT)
24	000460307	STRAIN RELIEF D.6 V.100/230/240
25	000070305	CORD CLAMP
26	024590000	VACUUM SENSOR
28	024660000	MAIN SWITCH
29	004610835	RED LENS
31	100024501	HOOK CENTRAL HANDLE BLUE
32	181834581	COVER HANDLE
33	009170101	CONTACT COVER
34	009160101	CONTACT HOUSING
35	100010301	FRAME HANDLE
36	010600016	FILTER
37	000200308	GASKET
38_	020040400	TERMINAL BLOCK 2 POLES
38_	020340400	TERMINAL BLOCK 3 POLES
39	011790016	FOAM MOTOR FILTER
40	007940308	MOTOR GASKET
41	181524581	BOTTON COVER KIT BLUE (1 PC)
42	003360100	EXHAUST GRILL

43	004601701	SWITCH BUTTON
44	181544580	FRONT GRILL
45	009894501	BUTTON BLUE
46	012980009	HANDLE SPRING
47_	085350081	EXHAUST MICROFILTER (12 PACK) [HF6/VAL/HCP/RX/CHP/ACT/DYN/DIA/LB4]
47_	030640000	HEPA FILTER
47_	,030650000	CARBON ACTIVE EXHAUST FILTER
49	003293601	VACUUM MOTOR HOUSING
50	011810307	O-RING 31x43
51	180700081	CURVE SUPPORT
52	003390105	UPPER CURVE
54	087553681	INNER VACUUM MOTOR HOUSING
56	180830080	CORD CLAMP WITH ELECTRONIC 3 WIRES V.230/240
57_	051350080	VACUUM MOTOR R26APSS (HE) V.120/60 W.750
57A_	022290000	CARBON BRUSH R26 (SET OF TWO)
57B_	,022200000	THERMAL PROTECTOR
58	010220016	FOAM FILTER
60	085610009A	SCREW 2.9x16 (SINGLE)
61	009180003	4 CONTACT HOUSING COVER
62	009190003	4 CONTACT HOUSING
63	021050300	MAIN SWITCH
64	085560009A	SCREW 3.9x16 (SINGLE)
66	087250009A	SCREW 3.5x22 (SINGLE)
67	180670009A	WASHER D.4 (SINGLE)
68	180680009A	SCREW 3.5x57 (SINGLE)
69	085550009A	SCREW 3.5x25 (SINGLE)
70	086440009A	SCREW 3.5x19 (SINGLE)

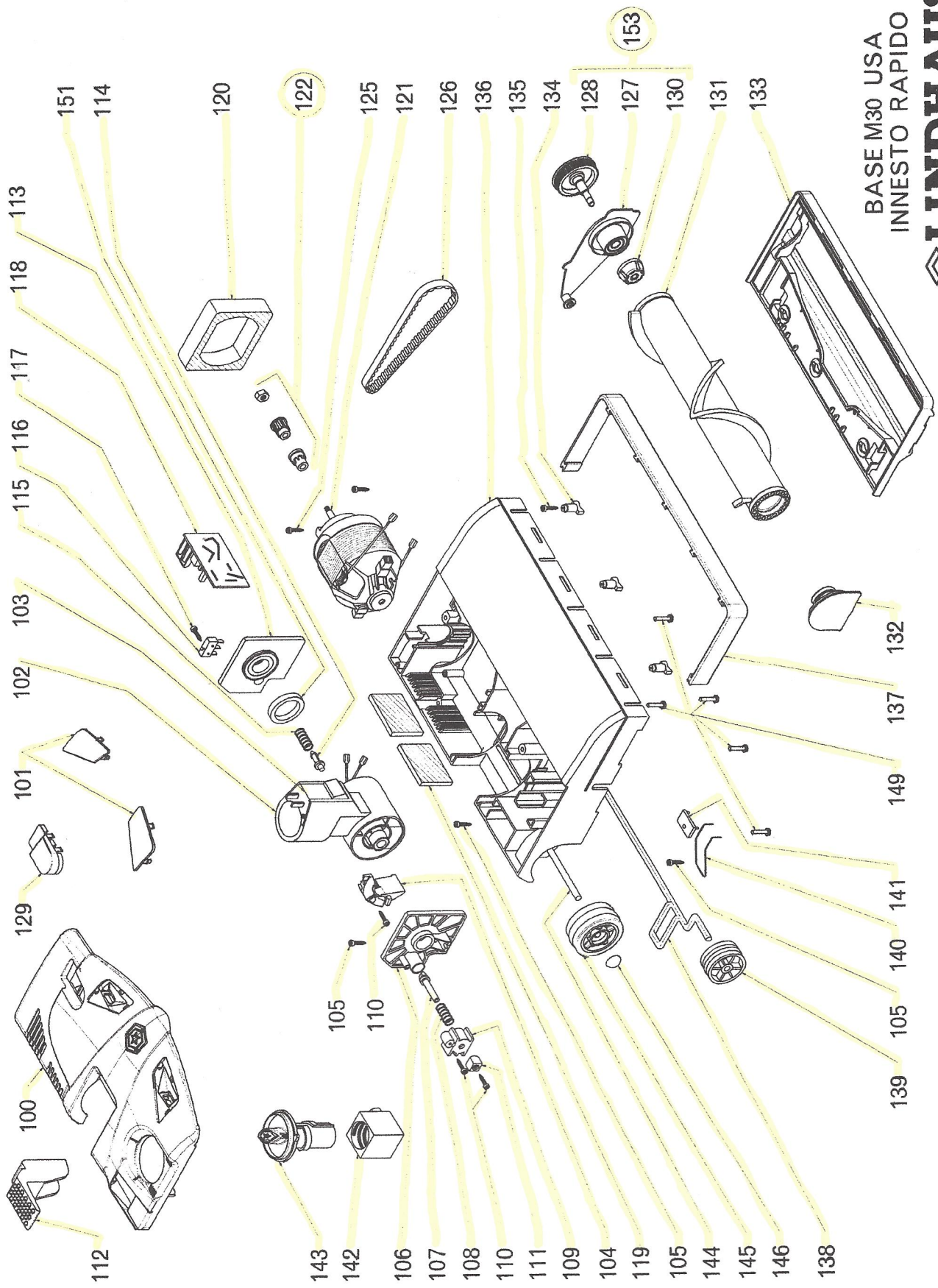
_032510019	DH3 BAGS (10 BAGS + 2 MICROFILTERS + 1 MOTOR PROTECT FILTER)
_031740310	ROUND DUSTING BRUSH WITH NATURAL BRISTLES (D.38mm 1-1/2")
_031110300	UPHOLSTERY TOOL WITH NATURAL BRISTLE [COMPLETE] (D.38mm 1-1/2")
_030900300	UPHOLSTERY TOOL, NATURAL BRISTLE BRUSH [ONLY]
_030820300	UPHOLSTERY TOOL WITH CENTER STRIP [COMPLETE] (D.38mm 1-1/2")
_030740300	UPHOLSTERY TOOL, BLACK CENTER STRIP BRUSH [ONLY]
_080070081	HOSE CRUSHPROOF 5 FT (D.38mm 1-1/2")
_086700081	HOSE CRUSHPROOF 9 FT (D.38mm 1-1/2")
_030850310	EXTENSION TUBE (D.38mm 1-1/2")
_030550300	TELESCOPIC WAND (D.38mm 1-1/2")

HARD FLOOR ATTACHMENTS TO MAKE VALZER 5 INTO ELECTRIC BROOM

_088753681	HARD FLOOR TOOL LOCKING / WHEELED [COMPLETE]
_088760081	FELT PAD CLIP ON ATTACHMENT FOR HARD FLOOR TOOL LOCKING

ATTACHMENTS TO MAKE VALZER 5 INTO ELECTRIC BACKPACK / BLOWER

_083540100	BLOWER PORT [ACCESSORY TO CONVERT INTO BLOWER]
_086750000	BACKPACK STRAP / HARNESS
_031400300	BACKPACK ACCESSORY BAG
_031410300	BACKPACK PAD WITH BELT



BASE M30 USA
 INNESTO RAPIDO
LINDHAUS[®]
 QUALITY CLEANING EQUIPMENT



VIA BELGIO, 22 Z.I. - 35127 PADOVA - ITALY

Ph. +39 049 8700307 - Fax +39 049 8700605

e-mail: vacuum@lindhaus.it - www.lindhaus.it

Cod.Fiscale - P.IVA - Reg.Imp.PD 02151740285

Capitale Sociale 46.800,00 i.v.

LINDHAUS U.S.A.

P.O. BOX 159 / 12941 EAGLE CREEK PARKWAY
SAVAGE, MN 55378

www.lindhaususa.com

www.lindhaus.net

info@lindhaus.com

1-800-498-7526 / 952-707-1131

FAX: 952-707-1134

PARTS LIST

EFFECTIVE FROM DATE PAGE
01/06/2015 1/2

VALZER 5 ECO FORCE - POWER BRUSH 12"

MODEL: 031207 (VALZER 5)

Pos	Part Number	Description
100_	181853681	BASE HOUSING COVER WHITE
100A_	,085150081	THROAT COVER WITH SPRING, FELT STRIP
100B_	,011000017	THROAT COVER FELT STRIP [ONLY]
101_	,083950081	LENS SET RED AND GREEN [STANDARD]
101_	181174581	LENS SET LED SILVER BLUE
102	,084170380	JOINT COMPLETE DOMESTIC 2 WIRE
103	083940080	JOINT KIT (BUTTON+FAST+GUIDE+COVER) (1 PC)
104	002280305	JOINT PIN SLIDE
105	085590009A	SCREW 3.9x13 (SINGLE)
106	080430381	SUPPORT RIGHT JOINT
107	000840036	PLUNGER
108	010390009	SPRING, DÉTENTE
109	000650036	BUSHING
110	085610009A	SCREW 2.9x16 (SINGLE)
111	000970305	SLIDE
112	001920105	FOOT PEDAL DARK GRAY
113	080440381	SUPPORT LEFT JOINT
114	000670036	SWITCH ACTIVATOR PIN
115	010480009	SPRING SWITCH ACTIVATOR PIN
116	020640000	MICROSWITCH
117	086950009A	SCREW 2.2x16 (SINGLE)
118	,020610000	CIRCUIT BOARD M30 (12")
119	010720316	FILTER
120	010580016	FILTER BRUSH MOTOR
121_	050030080	BRUSH MOTOR 100/120V
121A_	021260000	CARBON BRUSH FOR BRUSH MOTOR R73 (SET OF TWO)
121B_	,015210009	NUT M5, BRUSH MOTOR
122_	182730081	PINION+NUT COMPLETE
122A_	,015510029	PINION
125	085560009A	SCREW 3.9x16 (SINGLE)
126	010790300	TIMING BELT 7mm
127	181570029	TRANSMISSION SUPPORT WITH BEARINGS
128	060290081	PULLEY WITH SHAFT
129	009044146	SIDE LIGHT COVER
130	088620081	DRIVE JOINT BASE
131_	009610301	BRUSH ROLLER M30 (12") 2 BRISTLE 0,25 BLACK + INSERT [STANDARD]
131_	,009590301	BRUSH ROLLER M30 (12") 1 BRISTLE 0,25 BLACK + INSERT
131_	100110101	BRUSH ROLLER M30 (12") 1 BRISTLE WHITE (SOFT BRISTLE) + INSERT
131_	,009600301	BRUSH ROLLER M30 (12") 1 BRISTLE RED (STIFF BRISTLE) + INSERT

131A_	,100370004	INSERT, WHITE (MODIFY BRUSH ROLL TO ECO FORCE)
133	005860333	BRUSH SHOE PLATE M30 (12")
134	087491381A	ROLLER COVER CLIP (SINGLE)
135	085540009A	SCREW 3.5x9.5 TG (SINGLE)
136	087563681	BASE HOUSING M30 (12") MARBLE WHITE
137	000600112	BUMPER M30 (12") DARK GRAY
138	011320029	FRONT AXLE
139	002260000	FRONT WHEEL-RUBBER
140	010430009	SPRING
141	000680036	SPRING STOP PLATE
142	000990305	BRUSH HEIGHT ADJUSTER
143	003750104	ADJUSTING KNOB DARK GREY
144	011380009	REAR AXLE
145	002270000	REAR BIG WHEEL-RUBBER
146	012840009	WHEEL RETAINER CAP
149	086440009A	SCREW 3.5x19 (SINGLE)
151	010980017	FELT RING
153	181590029	TRANSMISSION SUPPORT [COMPLETE]
	_003243001	DCS (DEEP CLEANING SYSTEM) CONVERTER

ENCAPSULATION IS LOW MOISTURE CARPET CLEANING METHOD / USE VACUUM WITH DCS CONVERTER

CHE-7000	PURE POWER / OXY-GEN - 12 QUARTS (ENCAPSULATION CARPET CLEANER)
MIS-7200	2 LITER – ALL ANGLE SPRAYER BOTTLE (DILUTE / APPLY CLEANERS)