



VIA BELGIO, 22 Z.I. - 35127 PADOVA - ITALY

Ph. +39 049 8700307 - Fax +39 049 8700605

e-mail: vacuum@lindhaus.it - www.lindhaus.it

Cod.Fiscale - P.IVA - Reg.Imp.PD 02151740285

Capitale Sociale 46.800,00 i.v.

**LINDHAUS U.S.A.**

P.O. BOX 159 / 12941 EAGLE CREEK PARKWAY  
SAVAGE, MN 55378

[www.lindhaususa.com](http://www.lindhaususa.com)

[www.lindhaus.net](http://www.lindhaus.net)

[info@lindhaus.com](mailto:info@lindhaus.com)

1-800-498-7526 / 952-707-1131

FAX: 952-707-1134

**PARTS LIST**

EFFECTIVE FROM

DATE

PAGE

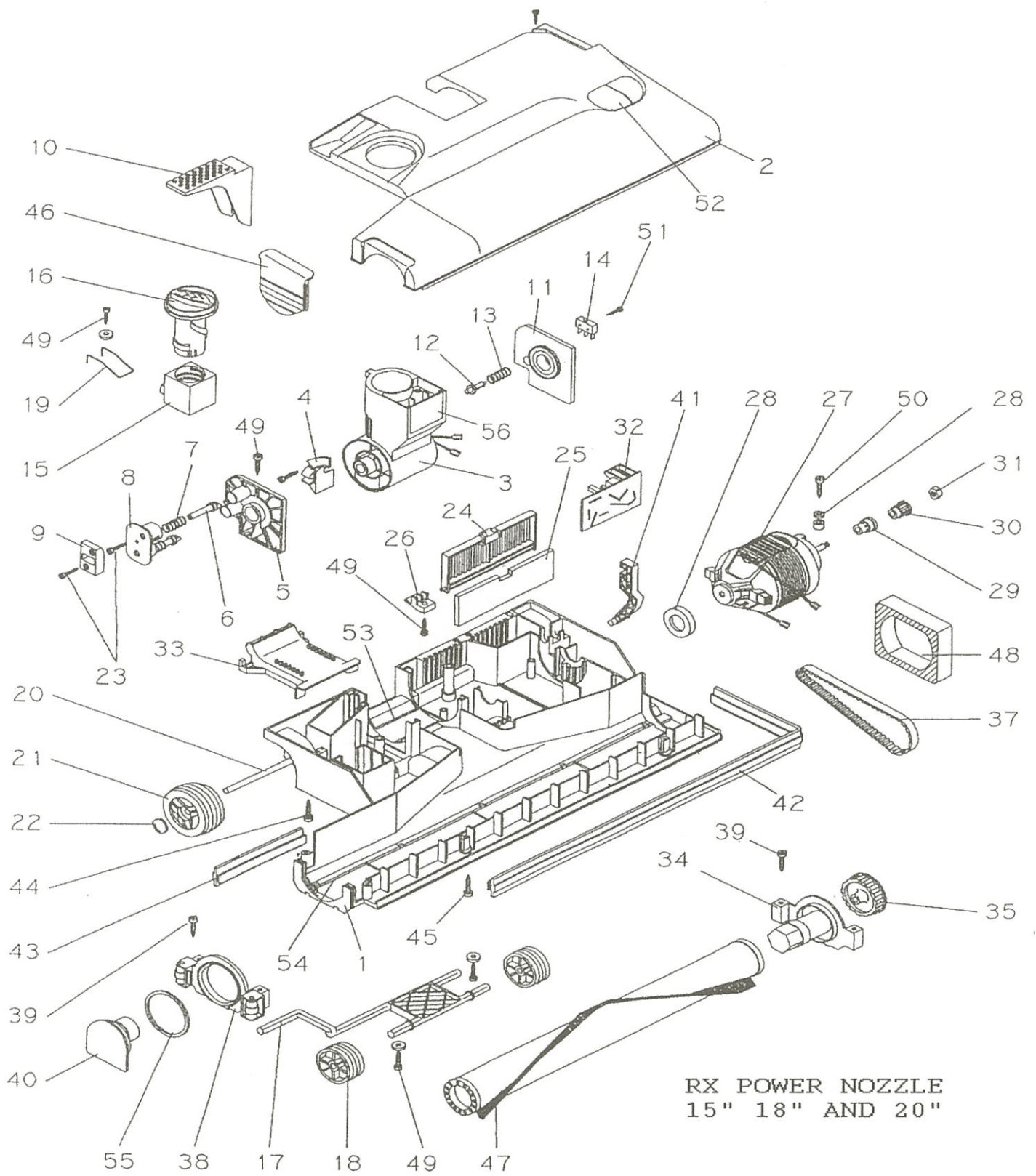
1/2

**RX - BODY**

**MODEL: 011508 (RX 380) / 101808 (RX 450) / 012008 (RX 500)**

Pos	Part Number	Description
1	,080170281	BAG HOUSING COVER
3	,000160304	FILTER HOLDER
4	084580081	SAFETY SUPPORT KIT (4 PCS)
5_	,011410316	FILTER, INTERNAL FOAM
5_	,087170081	CARBON ACTIVE FILTERS (5 PACK)
6	084370081	BAG ENTRANCE WITH SAFETY SUPPORT
7	084520081	BUTTON+SUPPORT+SPRING 2 POSITION
8	,030900300	UPHOLSTERY TOOL, NATURAL BRISTLE BRUSH [ONLY]
9	,001830205	DUST BRUSH SUPPORT
10_	,083190281	BAG HOUSING COMPLETE / OLD MOTOR
10_	,086270281	BAG HOUSING COMPLETE / NEW MOTOR
11	080790081	RELIEF VALVE KIT (2 PCS)
12	011050016	VALVE FILTER
13	010260307	O-RING
14_	,086670381	EXTENSION HOSE WITH HANDLE GRIP (D.38mm 1-1/2") [STANDARD]
14B_	,087530381	HANDLE GRIP KIT FOR EXTENSION HOSE (D.38mm 1-1/2") (3 PCS)
14_	,030860300	EXTENSION HOSE 3-1 WITH SLEEVES (CUFF TO CUFF) (D.38mm 1-1/2")
14C_	,030040310	HOSE SLEEVE (CUFF) FOR EXTENSION HOSE (D.38mm 1-1/2")
15	002730104	WAND / CREVICE TOOL CLIP
16	,001950110	UPPER HOSE HOOK FOR FLEXIBLE HOSE
17	,080770181	HANDLE GRIP (ONLY)
18	,002870105	RETAINER
19	084590081	CHROME TUBE - 2 POSITION WITH BUTTON LOCK
21	,084410181	HANDLE TUBE ASSEMBLY 2 POSITION [COMPLETE]
22	,082522280	ELECTRIC SYSTEM ASSEMBLY / NON-VARIABLE SPEED, 2-WAY
23	022480020	CORD 3x18 12.5 MT. USA PLUG YELLOW (3 PRONG / 41 FT)
24	010830307	STRAIN RELIEF V.100/120 D.8
25	000070305	CORD CLAMP
26	,021340000	VACUUM SENSOR
27	,001790006	COOLING VENT
28	,020390300	MAIN SWITCH 15A
29	,020020000	INDICATOR LIGHT
31	,001880105	LOWER CORD HOOK MEDIUM GREY
32	,086610281	HANDLE COVER WITHOUT ELECTRONIC
34	,001980306	COMB WIRE HOLDER
35	,001900201	FRAME HANDLE
36	010200016	FILTER, FOAM UPPER
37	000200308	GASKET
38_	020340400	TERMINAL BLOCK 3 POLES

38_	,020790400	TERMINAL BLOCK 4 POLES
38_	,021000400	TERMINAL BLOCK 2 POLES
39	011790016	FOAM MOTOR FILTER
40	,000210308	MOTOR GASKET
41	,082720281	BAG DOOR LATCH + SPRING
42_	085350081	EXHAUST MICROFILTER (12 PACK) [HF6/VAL/HCP/RX/CHP/ACT/DYN/DIA/LB4]
42_	030640000	HEPA FILTER
42_	,030650000	CARBON ACTIVE EXHAUST FILTER
43	003360100	EXHAUST GRILL
45	,083632281	FRONT GRILL [INCLUDES #64 BOTTOM COVER KIT]
46	003980133	BLOCKING JOINT PIN SUPPORT
47	010840009	JOINT PIN BLOCKING
48	,001500105	CONTROL PIN SLIDE
49	,003960233	VACUUM MOTOR HOUSING
50	001760331	LOWER CURVE
51	084610080	CURVE SUPPORT 3 WIRES
52	001750331	UPPER CURVE
53	010270307	O RING
54	,084600281	INNER VACUUM MOTOR HOUSING
55	003970133	HOSE INLET
56	,082550080	MOTOR CLAMP 3 WIRES
57_	051350080	VACUUM MOTOR R26APSS (HE) V.120/60 W.750
57A_	022290000	CARBON BRUSH R26 (SET OF TWO)
57B_	,022200000	THERMAL PROTECTOR
58	010220016	FILTER, FOAM MOTOR
59	030060310	CREVICE TOOL (D.38mm 1-1/2")
60	,030550300	TELESCOPIC WAND (D.38mm 1-1/2")
61	,002480003	4 CONTACT HOUSING COVER
62	,002400003	4 CONTACT HOUSING
63	,003230001	VACUUM SENSOR ADAPTOR
64	,084440181	BOTTOM COVER KIT (1 PC)
65_	,031110300	UPHOLSTERY TOOL WITH NATURAL BRISTLE [COMPLETE] (D.38mm 1-1/2") [STANDARD]
65_	,030820300	UPHOLSTERY TOOL WITH CENTER STRIP [COMPLETE] (D.38mm 1-1/2")
66_	,030740300	UPHOLSTERY TOOL, BLACK CENTER STRIP BRUSH [ONLY]
67	087250009A	SCREW 3.5x22 (SINGLE)
68	,010030009	SCREW 3.5x16
69	085550009A	SCREW 3.5x25 (SINGLE)
70	086440009A	SCREW 3.5x19 (SINGLE)
71	085590009A	SCREW 3.9x13 (SINGLE)
72	087260009A	SCREW 3.9x22 (SINGLE)
73	,085530009A	SCREW 2.9x19 (SINGLE)
74	085560009A	SCREW 3.9x16 (SINGLE)
75	012980009	HANDLE SPRING
76	,005200101	BUTTON DARK GREY
	,030610019	PH4 BAGS (10 BAGS + 2 MICROFILTERS)
	,083540100	BLOWER PORT [ACCESSORY TO CONVERT INTO BLOWER]
	_080930000	BAG, CLOTH SHAKE OUT
	_087392281	FELT PAD / HARD FLOOR TOOL M28F (D.38mm 1-1/2") [COMPLETE] [OLD STYLE]
	_080070081	HOSE CRUSHPROOF 5 FT (D.38mm 1-1/2")
	_086700081	HOSE CRUSHPROOF 9 FT (D.38mm 1-1/2")
	_030850310	EXTENSION TUBE (D.38mm 1-1/2")



RX POWER NOZZLE  
 15" 18" AND 20"



VIA BELGIO, 22 Z.I. - 35127 PADOVA - ITALY

Ph. +39 049 8700307 - Fax +39 049 8700605

e-mail: vacuum@lindhaus.it - www.lindhaus.it

Cod.Fiscale - P.IVA - Reg.Imp.PD 02151740285

Capitale Sociale 46.800,00 i.v.

**LINDHAUS U.S.A.**

P.O. BOX 159 / 12941 EAGLE CREEK PARKWAY  
SAVAGE, MN 55378

[www.lindhaususa.com](http://www.lindhaususa.com)

[www.lindhaus.net](http://www.lindhaus.net)

[info@lindhaus.com](mailto:info@lindhaus.com)

1-800-498-7526 / 952-707-1131

FAX: 952-707-1134

**PARTS LIST**

EFFECTIVE FROM

DATE

PAGE

1/2

**RX - POWER BRUSH 380 / 450 / 500**

**MODEL: 011508 (RX 380) / 101808 (RX 450) / 012008 (RX 500)**

Pos	Part Number	Description
1_	081990281	BASE HOUSING 380 (15") [INCLUDES #54 BASE METAL GUIDES SET]
1_	082850281	BASE HOUSING 450 (18") [INCLUDES #54 BASE METAL GUIDES SET]
1_	082000281	BASE HOUSING 500 (20") [INCLUDES #54 BASE METAL GUIDES SET]
2_	,082860281	BASE HOUSING COVER 380 (15")
2_	,082870281	BASE HOUSING COVER 450 (18")
2_	,082880281	BASE HOUSING COVER 500 (20")
3	083210380	JOINT COMPLETE 120V
4	002290305	JOINT PIN SLIDE
5	081910080	SUPPORT RIGHT JOINT
6	001940036	PLUNGER
7	010390009	SPRING, DETENTE
8	001930036	DOUBLE PIN WASHER
9	002180105	DOUBLE RELEASE PLATE
10	,002550105	FOOT PEDAL
11	081920080	SUPPORT LEFT JOINT
12	000670036	SWITCH ACTIVATOR PIN
13	010480009	SPRING SWITCH ACTIVATOR PIN
14	020640000	MICROSWITCH
15	000990305	BRUSH HEIGHT ADJUSTER
16	,003130104	ADJUSTING KNOB
17	011330029	FRONT AXLE
18	002260000	FRONT WHEEL RUBBER
19	011160009	SPRING BRUSH ADJUST
20	011390009	REAR AXLE
21	002270000	REAR BIG WHEEL RUBBER
22	012840009	WHEEL RETAINER CAP
23	085610009A	SCREW 2.9x16 (SINGLE)
24	,002140104	FILTER GRILL
25	011240316	EXHAUST FILTER
26	,002160104	STOP GRILL PLATE
27_	050030080	BRUSH MOTOR 100/120V 380 (15")
27_	050240080	BRUSH MOTOR 100/120V 450-500 (18"-20")
27A_	021260000	CARBON BRUSH FOR BRUSH MOTOR R73 (SET OF TWO)
27B_	,015210009	NUT M5, BRUSH MOTOR
28	,082050381	MOTOR GASKET KIT (6 PCS)
29	002890029	METAL SPACER
30	002880029	METAL PULLEY
31	,010490009	NUT, PINION

32	020810000	CIRCUIT BOARD
33	,002170104	CHANEL COVER
34	182010081	TRANSMISSION SUPPORT WITH PULLEY
35	,086160381	BRUSH PULLEY WITH METAL INSERT
36	,010340009	NUT ONLY, M6 BRUSH PULLEY
37	010790300	TIMING BELT 7mm
38	081940081	WHEEL SUPPORT
39	,085560009A	SCREW 3.9x16 (SINGLE)
40	081950081	ROLLER SUPPORT
41	002210304	SIDE LEVER
42_	,002560112	FRONT BUMPER 380 (15")
42_	,002580112	FRONT BUMPER 450 (18")
42_	,002600112	FRONT BUMPER 500 (20")
43_	,002570112	BACK BUMPER GASKET 380 (15")
43_	,002590112	BACK BUMPER GASKET 450 (18")
43_	,002610112	BACK BUMPER GASKET 500 (20")
44	087270009A	SCREW 4.8x50 (SINGLE)
45	087280009A	SCREW 3.5x38 (SINGLE)
46	,002150104	SIDE COVER
47_	,003200301	BRUSH ROLLER 380 (15") BRISTLE BLACK [STANDARD]
47_	100140301	BRUSH ROLLER 380 (15") BRISTLE RED (STIFF)
47_	,003250301	BRUSH ROLLER 450 (18") BRISTLE BLACK
47_	,003260301	BRUSH ROLLER 500 (20") BRISTLE BLACK
48	010580016	FILTER BRUSH MOTOR
49	085590009A	SCREW 3.9x13 (SINGLE)
50	,010030009	SCREW 3.5x16
51	086950009A	SCREW 2.2x16 (SINGLE)
52	,082940081	LENS SET RED & GREEN
53	011000017	THROAT COVER FELT STRIP [ONLY]
54_	082890000	BASE METAL GUIDES SET 380 (15")
54_	082900000	BASE METAL GUIDES SET 450 (18")
54_	082910000	BASE METAL GUIDES SET 500 (20")
55	011360307	O'RING
56	082490080	MALE ELEC. CONNECTION SET 120V 3 PRONG
PBR	,092412280	RX 380 (15") POWER BRUSH REPLACEMENT [COMPLETE]
PBR	,092422280	RX 450 (18") POWER BRUSH REPLACEMENT [COMPLETE]
PBR	,092432280	RX 500 (20") POWER BRUSH REPLACEMENT [COMPLETE]