

RX eco FORCE

LINDHAUS
QUALITY CLEANING EQUIPMENT



VIA BELGIO, 22 Z.I. - 35127 PADOVA - ITALY

Ph. +39 049 8700307 - Fax +39 049 8700605

e-mail: vacuum@lindhaus.it - www.lindhaus.it

Cod.Fiscale - P.IVA - Reg.Imp.PD 02151740285

Capitale Sociale 46.800,00 i.v.

LINDHAUS U.S.A.

P.O. BOX 159 / 12941 EAGLE CREEK PARKWAY
SAVAGE, MN 55378

www.lindhaususa.com

www.lindhaus.net

info@lindhaus.com

1-800-498-7526 / 952-707-1131

FAX: 952-707-1134

PARTS LIST

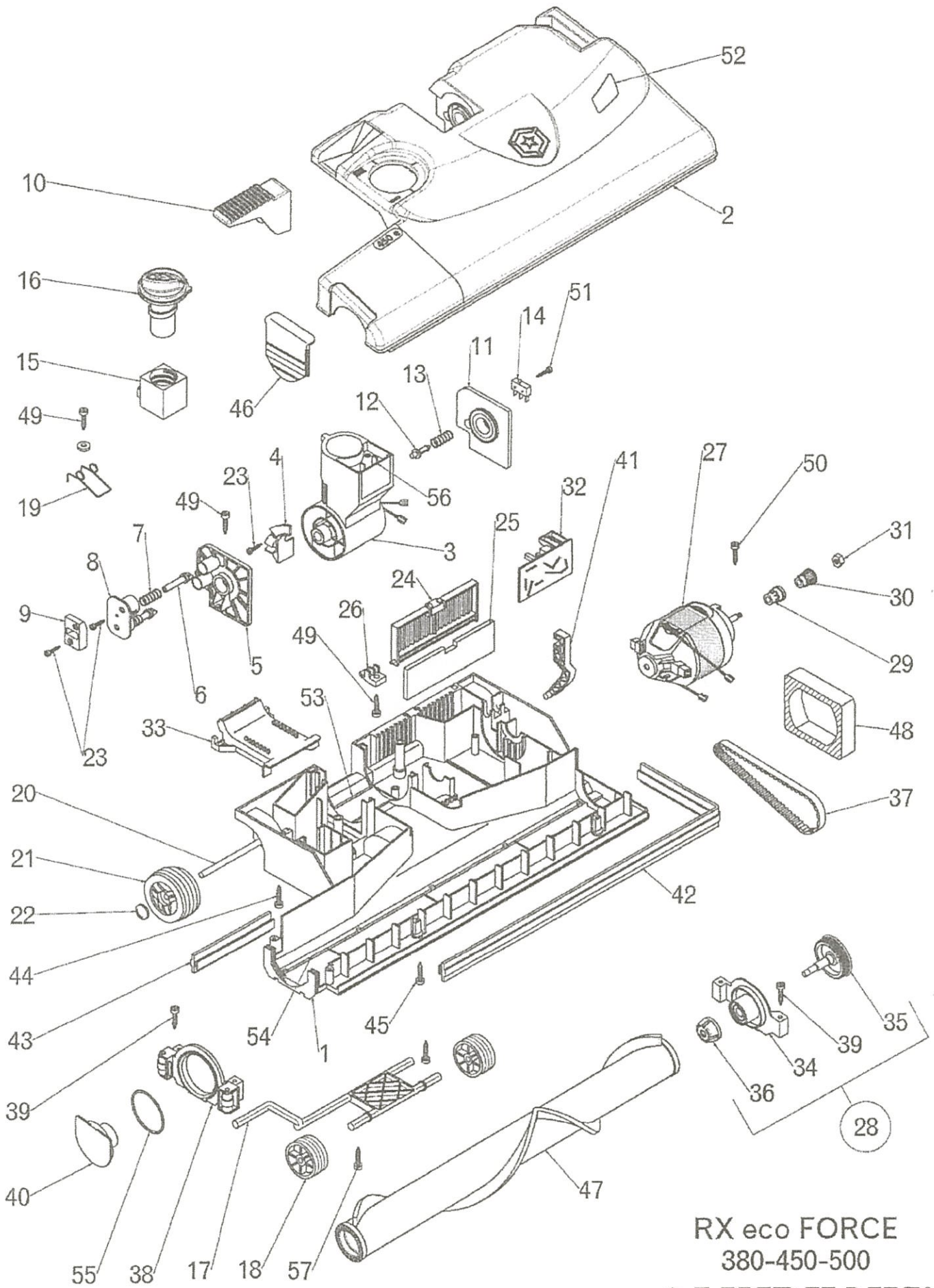
EFFECTIVE FROM DATE PAGE
01/04/2015 01/04/2015 1/2

RX ECO FORCE - BODY

MODEL: 011508 (RX 380) / 101808 (RX 450) / 012008 (RX 500)

Pos	Part Number	Description
1	080174681	BAG HOUSING COVER GREY
3	100093001	GRILL FILTER HOLDER RED
4	084580081	SAFETY SUPPORT KIT (4 PCS)
5_	015230316	INTERNAL FILTER
5_	,087170081	CARBON ACTIVE FILTERS (5 PACK)
6	084370081	BAG ENTRANCE WITH SAFETY SUPPORT
7	084520081	HANDLE BUTTON ASSEMBLY 2 POSITION
8_	031740310	ROUND DUSTING BRUSH WITH NATURAL BRISTLES (D.38mm 1-1/2") [STANDARD]
8_	,031110300	UPHOLSTERY TOOL WITH NATURAL BRISTLE [COMPLETE] (D.38mm 1-1/2")
8A_	,030900300	UPHOLSTERY TOOL, NATURAL BRISTLE BRUSH [ONLY]
8_	,030820300	UPHOLSTERY TOOL WITH CENTER STRIP [COMPLETE] (D.38mm 1-1/2")
8B_	,030740300	UPHOLSTERY TOOL, BLACK CENTER STRIP BRUSH [ONLY]
9	001830105	ROUND DUSTING BRUSH SUPPORT
10	083194681	BAG HOUSING COMPLETE
11	080790081	VALVE KIT (2 PCS)
12	011050016	VALVE FILTER
13	010260307	O-RING
14_	181460381	EXTENSION HOSE WITH HANDLE GRIP ECO FORCE (D.38mm 1-1/2")
14A_	183380381	HANDLE GRIP KIT FOR EXTENSION HOSE ECO FORCE (D.38mm 1-1/2")
14_	,030860300	EXTENSION HOSE 3-1 WITH SLEEVES (CUFF TO CUFF) (D.38mm 1-1/2")
14B_	,030040310	HOSE SLEEVE (CUFF) FOR EXTENSION HOSE (D.38mm 1-1/2")
15	002730104	WAND / CREVICE TOOL CLIP
16	004601701	SWITCH BUTTON
17	081443881	HANDLE GRIP [ONLY] BLUE
18	007791201	ADAPTER
19	084590081	CHROMATE TUBE - 2 POSITION WITH BUTTON LOCK
21	089143881	HANDLE TUBE ASSEMBLY 2 POSITION
22	181354680	ELECTRIC SYSTEM ASSEMBLY120/60
23	022480020	CORD 3x18 12.5 MT. USA PLUG YELLOW (3 PRONG / 41 FT)
24	010830307	STRAIN RELIEF V.100/120 D.8
25	000070305	CORD CLAMP
26	024590000	VACUUM SENSOR
28	024660000	MAIN SWITCH
29	004610835	RED LENS
31	100023801	HOOK CENTRAL HANDLE BLUE
32	181504681	COVER HANDLE ECO FORCE
34	009170101	CONTACT COVER
35	100010301	FRAME HANDLE
36	010200016	FILTER, FOAM UPPER

37	000200308	GASKET
38	020340400	TERMINAL BLOCK 3 POLES
39	011790016	FOAM MOTOR FILTER
40	007940308	MOTOR GASKET
41	082723881	BAG DOOR LATCH + SPRING BLUE
42_	085350081	EXHAUST MICROFILTER (12 PACK) [HF6/VAL/HCP/RX/CHP/ACT/DYN/DIA/LB4]
42_	030640000	HEPA FILTER
42_	,030650000	CARBON ACTIVE EXHAUST FILTER
43	003360100	EXHAUST GRILL
44	181514681	FRONT GRILL GREY ECO FORCE
46	003980133	BLOCKING JOINT PIN SUPPORT
47	010840009	JOINT PIN
48	001503805	CONTROL PIN SLIDE BLUE
49	003964644	VACUUM MOTOR HOUSING
50	001760331	LOWER CURVE
51	084610080	CURVE SUPPORT V.120/60 3 WIRES
52	001750331	UPPER CURVE
53	010270307	O RING
54	081204681	INNER VACUUM MOTOR HOUSING
55	003970133	HOSE INLET
56	180820080	CORD CLAMP WITHOUT ELECTRONIC 3 WIRES ECO FORCE
57_	051350080	VACUUM MOTOR R26APSS (HE) V.120/60 W.750
57A_	022290000	CARBON BRUSH R26 (SET OF TWO)
57B_	,022200000	THERMAL PROTECTOR
58	010220016	FOAM FILTER
59	030060310	CREVICE TOOL (D.38mm 1-1/2")
60	032350300	TELESCOPIC WAND ECO FORCE (D.38mm 1-1/2")
61	009180003	CONTACT COVER 4 POSITION
62	009190003	CONTACT HOUSING 4 POSITION
63	009160101	CONTACT HOUSING
64	181523881	BOTTON COVER KIT BLUE (1 PC)
65	088020009A	SCREW 3.5x13 (SINGLE)
66	180680009A	SCREW 3.5x57 (SINGLE)
67	087250009A	SCREW 3.5x22 (SINGLE)
68	087050009A	SCREW 3.5x16 (SINGLE)
69	085550009A	SCREW 3.5x25 (SINGLE)
70	086440009A	SCREW 3.5x19 (SINGLE)
71	085590009A	SCREW 3.9x13 (SINGLE)
72	087260009A	SCREW 3.9x22 (SINGLE)
73	085610009A	SCREW 2.9x16 (SINGLE)
74	085560009A	SCREW 3.9x16 (SINGLE)
75	012980009	HANDLE SPRING
76	009893801	BUTTON BLUE
	_030610019	PH4 BAGS (10 BAGS + 2 MICROFILTERS)
	_080930000	BAG, CLOTH SHAKE OUT
	_082924681	HARD FLOOR TOOL M28F (D.38mm 1-1/2") [COMPLETE]
	_080070081	HOSE CRUSHPROOF 5 FT (D.38mm 1-1/2")
	_086700081	HOSE CRUSHPROOF 9 FT (D.38mm 1-1/2")
	_030850310	EXTENSION TUBE (D.38mm 1-1/2")
	_083540100	BLOWER PORT [ACCESSORY TO CONVERT INTO BLOWER]



RX eco FORCE
380-450-500

LINDHAUS[®]
QUALITY CLEANING EQUIPMENT



VIA BELGIO, 22 Z.I. - 35127 PADOVA - ITALY

Ph. +39 049 8700307 - Fax +39 049 8700605

e-mail: vacuum@lindhaus.it - www.lindhaus.it

Cod.Fiscale - P.IVA - Reg.Imp.PD 02151740285

Capitale Sociale 46.800,00 i.v.

LINDHAUS U.S.A.

P.O. BOX 159 / 12941 EAGLE CREEK PARKWAY
SAVAGE, MN 55378

www.lindhaususa.com

www.lindhaus.net

info@lindhaus.com

1-800-498-7526 / 952-707-1131

FAX: 952-707-1134

PARTS LIST

EFFECTIVE FROM DATE PAGE
01/04/2015 **01/04/2015** **1/2**

RX ECO FORCE - POWER BRUSH 380 / 450 / 500

MODEL: 011508 (RX 380) / 101808 (RX 450) / 012008 (RX 500)

Pos	Part Number	Description
1_	081990281	BASE HOUSING 380 (15") [INCLUDES #54 BASE METAL GUIDES SET]
1_	082850281	BASE HOUSING 450 (18") [INCLUDES #54 BASE METAL GUIDES SET]
1_	082000281	BASE HOUSING 500 (20") [INCLUDES #54 BASE METAL GUIDES SET]
2_	181614681	BASE HOUSING COVER 380 (15") ECO FORCE
2_	181624681	BASE HOUSING COVER 450 (18") ECO FORCE
2_	181634681	BASE HOUSING COVER 500 (20") ECO FORCE
3	083210380	JOINT COMPLETE 120V 3 WAY
4	002290305	JOINT PIN SLIDE
5	081910080	SUPPORT RIGHT JOINT
6	001940036	PLUNGER
7	010390009	SPRING, DETENTE
8	001930036	DOUBLE PIN WASHER
9	002180105	DOUBLE RELEASE PLATE
10	002193805	FOOT PEDAL BLUE
11	081920080	SUPPORT LEFT JOINT
12	000670036	SWITCH ACTIVATOR PIN
13	010480009	SPRING SWITCH ACTIVATOR PIN
14	020640000	MICROSWITCH
15	000990305	BRUSH HEIGHT ADJUSTER
16	003133804	ADJUSTING KNOB BLUE
17	011330029	FRONT AXLE
18	002260000	FRONT WHEEL-RUBBER
19	011160009	SPRING BRUSH ADJUST
20	011390009	REAR AXLE
21	002270000	REAR BIG WHEEL-RUBBER
22	012840009	WHEEL RETAINER CAP
23	085610009A	SCREW 2.9x16 (SINGLE)
24	002143804	FILTER GRILL BLUE
25	011240316	EXHAUST FILTER
26	002163804	STOP GRILL PLATE BLUE
27_	050030080	BRUSH MOTOR 100/120V 380 (15")
27_	050240080	BRUSH MOTOR 100/120V 450-500 (18"-20")
27A_	021260000	CARBON BRUSH FOR BRUSH MOTOR R73 (SET OF TWO)
27B_	,015210009	NUT M5, BRUSH MOTOR
28	181480081	TRANSMISSION SUPPORT WITH PULLEY
29	002890029	METAL SPACER
30	002880029	METAL PULLEY
31	180160009A	NUT M4 (SINGLE)

32	020810000	CIRCUIT BOARD 120V
33	002173804	CHANEL COVER BLUE
34	181490081	TRANSMISSION SUPPORT WITHOUT PULLEY
35	060290081	PULLEY WITH SHAFT
36	088620081	DRIVE JOINT BASE
37	010790300	TIMING BELT 7mm
38	081940081	WHEEL SUPPORT
39	087260009A	SCREW 3.9x22 (SINGLE)
40	081950081	ROLLER SUPPORT
41	002210304	SIDE LEVER
42_	002563812	FRONT BUMPER 380 (15") BLUE
42_	002583812	FRONT BUMPER 450 (18") BLUE
42_	002603812	FRONT BUMPER 500 (20") BLUE
43_	002573812	BACK BUMPER GASKET 380 (15") BLUE
43_	002593812	BACK BUMPER GASKET 450 (18") BLUE
43_	002613812	BACK BUMPER GASKET 500 (20") BLUE
44	087270009A	SCREW 4.8x50 (SINGLE)
45	087280009A	SCREW 3.5x38 (SINGLE)
46	002153804	SIDE COVER BLUE
47_	009730301	BRUSH ROLLER 380 (15") BRISTLE 0,25 BLACK + INSERT [STANDARD]
47_	009740301	BRUSH ROLLER 380 (15") BRISTLE 0,30 RED (STIFF BRISTLE) + INSERT
47_	009750301	BRUSH ROLLER 450 (18") BRISTLE 0,25 BLACK + INSERT [STANDARD]
47_	009760301	BRUSH ROLLER 450 (18") BRISTLE 0,30 RED (STIFF BRISTLE) + INSERT
47_	009770301	BRUSH ROLLER 500 (20") BRISTLE 0,25 BLACK + INSERT [STANDARD]
47_	009780301	BRUSH ROLLER 500 (20") BRISTLE 0,30 RED (STIFF BRISTLE) + INSERT
47A_	,100370004	INSERT, WHITE (MODIFY BRUSH ROLL TO ECO FORCE)
48	010580016	MOTOR FILTER
49	085590009A	SCREW 3.9x13 (SINGLE)
50	085550009A	SCREW 3.5x25 (SINGLE)
51	086950009A	SCREW 2.2x16 (SINGLE)
52	009814146	LIGHT COVER
53	011000017	FELT FOR BRUSH HOUSING
54_	082890000	BASE METAL GUIDES SET 380 (15")
54_	082900000	BASE METAL GUIDES SET 450 (18")
54_	082910000	BASE METAL GUIDES SET 500 (20")
55	011360307	O'RING
56	082490080	MALE ELECTRONIC CONNECTION SET 120V 3 WIRES
57	086450009A	SCREW 3.9x13 TG (SINGLE)
PBR	190554680	RX 380 (15") POWER BRUSH REPLACEMENT ECO FORCE [COMPLETE]
PBR	190564680	RX 450 (18") POWER BRUSH REPLACEMENT ECO FORCE [COMPLETE]
PBR	190574680	RX 500 (20") POWER BRUSH REPLACEMENT ECO FORCE [COMPLETE]