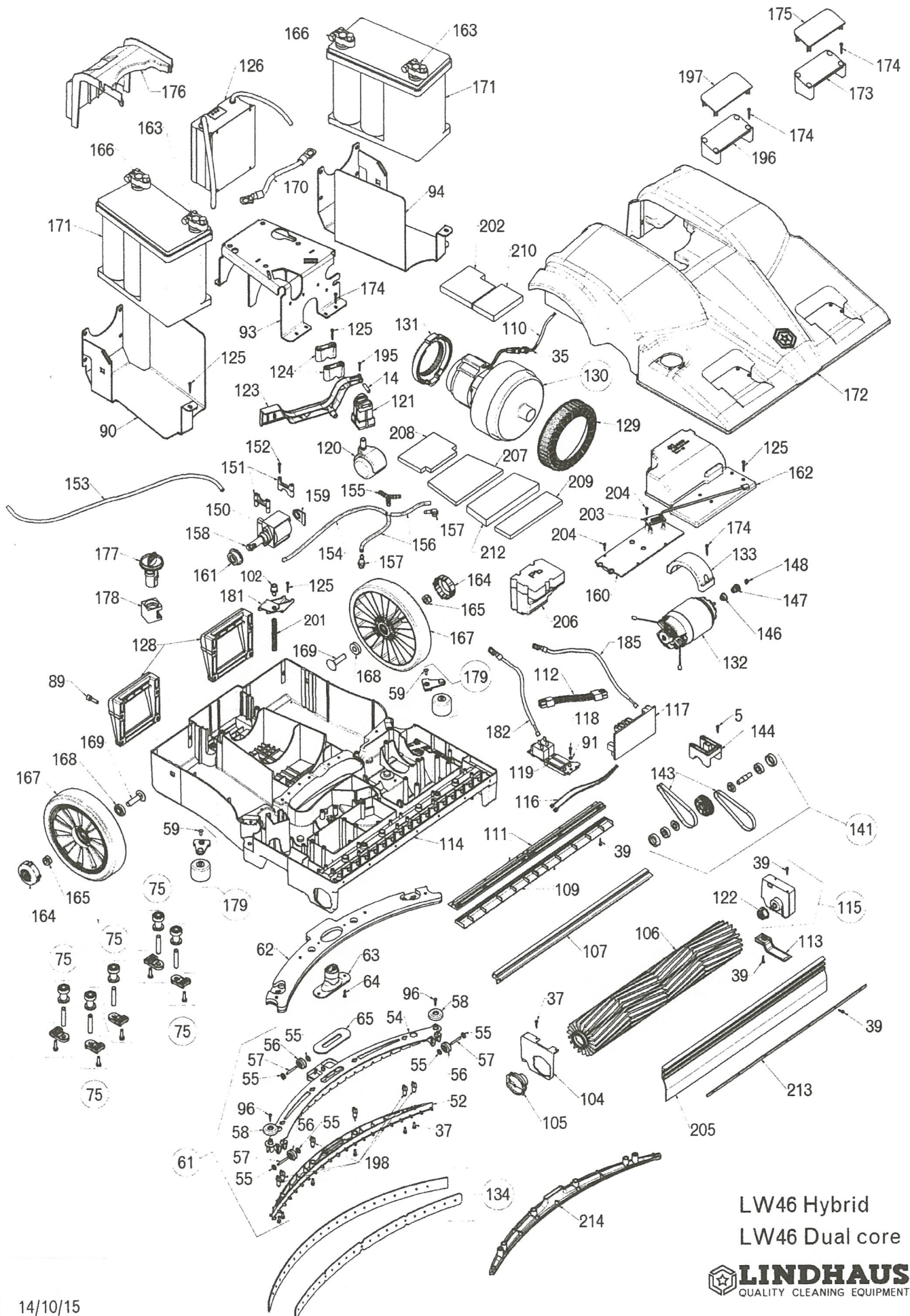


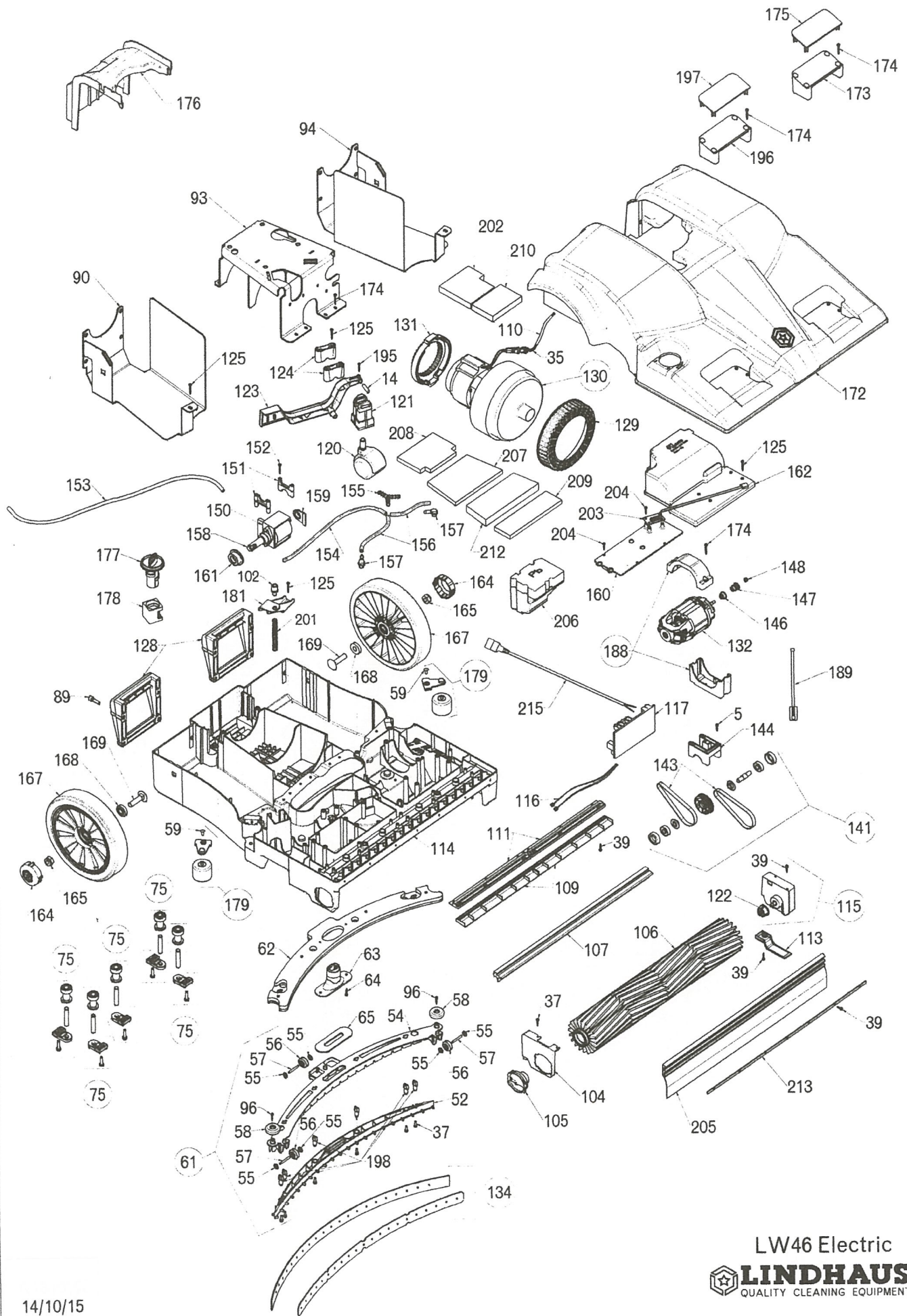
LW46 Hybrid  
 LW46 Electric  
 LW46 Dual core





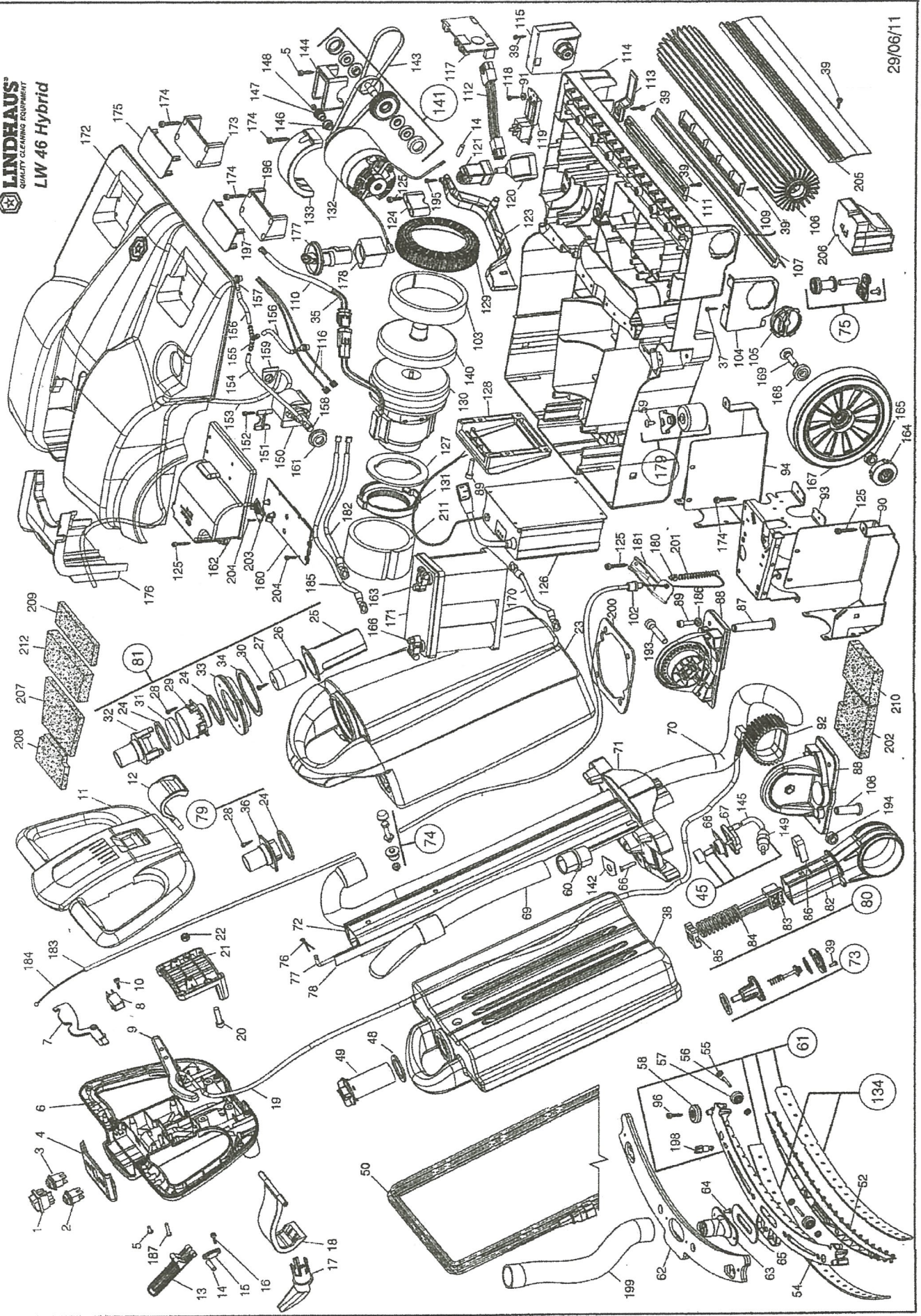
LW46 Hybrid  
LW46 Dual core





LW46 Electric

**LINDHAUS**  
QUALITY CLEANING EQUIPMENT





VIA BELGIO, 22 Z.I. - 35127 PADOVA - ITALY

Ph. +39 049 8700307 - Fax +39 049 8700605

e-mail: vacuum@lindhaus.it - www.lindhaus.it

Cod.Fiscale - P.IVA - Reg.Imp.PD 02151740285

Capitale Sociale 46.800,00 i.v.

**LINDHAUS U.S.A.**

P.O. BOX 159 / 12941 EAGLE CREEK PARKWAY  
SAVAGE, MN 55378

[www.lindhaususa.com](http://www.lindhaususa.com)

[www.lindhaus.net](http://www.lindhaus.net)

[info@lindhaus.com](mailto:info@lindhaus.com)

1-800-498-7526 / 952-707-1131

FAX: 952-707-1134

**PARTS LIST**

EFFECTIVE FROM                      DATE                      PAGE  
**01/06/2013**                      **01/06/2013**                      **1/5**

**LW46 HYBRID / ELECTRIC / DUAL CORE HYBRID**

**MODEL: 162026 (LW46 HYBRID) / 182011 (LW46 ELECTRIC)**

Pos	Part Number	Description
1	023610000	MAIN SWITCH
2_	024070000	PUMP SWITCH V.24 / LW46 HYBRID
2_	,023450000	PUMP SWITCH V.100 - 240 / LW46 ELECTRIC
3	023470000	VACUUM SWITCH
4	008181201	SWITCHES PLATE
5	085600009A	SCREW 3.9x25 (SINGLE)
6	008191233	REAR HANDLE
7_	008200101	LEVER SWITCH BRUSH MOTOR GREY
7_	008201301	LEVER SWITCH BRUSH MOTOR RED
8	024100000	MICROSWITCH BRUSH MOTOR
9_	008210105	JOINT LEVER GREY
9_	008211305	JOINT LEVER RED
10	085530009A	SCREW 2.9x19 (SINGLE)
11_	181201281	HANDLE FRONT / LW46 HYBRID
11_	181991281	HANDLE FRONT / LW46 ELECTRIC
11_	182001281	HANDLE FRONT / LW46 DUAL CORE HYBRID
12	008231239	HOOK FRONT TANK
13	014210029	LEVER BASE LIFTING
14	089930009A	AXLE LIFTING LEVER (SINGLE)
15	000070305	CORD CLAMP
16	085610009A	SCREW 2.9x16 (SINGLE)
17	007110101	ROTATING CORD HOOK
18	008241239	HOOK REAR TANK
19_	023990320	CORD 7 WIRES / LW46 HYBRID
19_	,024490320	CORD 7 WIRES / LW46 ELECTRIC
20	089940009A	SCREW M6x25 (SINGLE)
21	008250105	HANDLE BRIDGE
22	089950009A	NUT M6 (SINGLE)
23	181211681	RECOVERY TANK
24	014080315	GASKET TUBE CONNECTOR
25	008330305	FLOAT HOUSING
26	008340105	FLOAT LONG
27	008350105	FLOAT SHORT
28	088980009A	SCREW 5x16 HILO (SINGLE)
29	008360305	HOUSING MOTOR PROTECTION FILTER

30	088970009A	SCREW 3.5x32 IX (SINGLE)
31	014440316	FILTER MOTOR PROTECTION
32	008370305	FLOAT HOUSING TUBE
33	008384146	CUP RECOVERY TANK
34	014310315	GASKET FLOAT CUP
35_	024120028	WIRES + CONNECTOR VAC MOTOR / LW46 HYBRID
35_	,024580028	WIRES + CONNECTOR VAC MOTOR / LW46 ELECTRIC
36	008390305	TUBE TANK ENTRANCE
37	089960009A	SCREW 3.5x13 IX (SINGLE)
38	181034381	WATER TANK
39	088450009A	SCREW 3.5x16 IX (SINGLE)
45_	183040081	KIT 3 WATER FILTERS PUMP (3 PCS) [NEW FILTER]
45A_	183060081	IMPROVEMENT KIT 3 WATER FILTERS PUMP W/INSTRUCTIONS (7 PCS) [CONVERTS OLD FILTER]
48	014450315	GASKET DOSING CUP
49	008414146	DOSING CUP
50	024180020	CORD 3x18 12.5 MT. USA PLUG YELLOW (3 PRONG / 49.2 FT)
52	008420305	SQUEEGEE SUPPORT
54	008430305	HOUSING SQUEEGEE
52+54	180560381	HOUSING SQUEEGEE + SUPPORT
55	089980009A	SPRING WASHERS (SINGLE)
56	089990381A	RUBBER WHEELS D.22 (SINGLE)
57	180010009A	SCREWS SQUEEGEE WHEELS (SINGLE)
58	180021281A	WHEEL SIDE SQUEEGEE GREY (SINGLE)
58	180021381A	WHEEL SIDE SQUEEGEE RED (SINGLE)
59	085640009A	SCREW 4.8x13 TG (SINGLE)
60	008450105	CONNECTOR HOSES
61_	089740081	SUPPORT SQUEEGEE KIT LW46 GREY WHEELS (1 PC)
61_	089741381	SUPPORT SQUEEGEE KIT LW46 RED WHEELS (1 PC)
62	014380009	STEEL SUPPORT SQUEEGEE
63	008460105	TUBE INLET SQUEEGEE
64	180030009A	SCREW M4x6 TSP IX (SINGLE)
65	014180315	GASKET INLET SQUEEGEE
66	087470009A	SCREW 3.9x13 TSP+ (SINGLE)
67	008300400	BODY VALVE
68	008940308	GASKET VALVE
69	032160300	HOSE RECOVERY L.640 mm
70	032170300	HOSE SUCTION L.1340 mm
71	008470305	SUPPORT TANKS
72	014480011	WAND ALUMINUM
73	089750081	GASKET WATER TANK
74	089760081	TANKS GUIDE SCREW KIT (5 PCS)
75	089770081	KIT SQUEEGEE ROLLERS (20 PCS)
76	180110009A	BLOCK PIN (SINGLE)
77	014391609	BAR RELEASE JOINT
78	008750307	EXTRUDED WAND COVER
79	089780081	TUBE TANK ENTRANCE KIT (6 PCS)
80	089790081	JOINT KIT (5 PCS)
81	089800081	FLOAT HOUSING TUBE KIT (1 PC)
82	008860305	JOINT
83	014610029	BLOCK JOINT
84	014430009	SPRING JOINT
85	014620029	GUIDE SPRING
86	014630029	PLATE BLOCK SPRING
87	010830307	STRAIN RELIEF V.100/120 D.8
88	180350381	SUPPORT JOINT KIT (2 PCS)

89	180120009A	SCREW M6x20 (SINGLE)
90	014221609	MOUNTING PLATE LEFT
91	087290009A	WASHER 4.3 D12 (SINGLE)
92	014710029	METAL TEETH INSERT
93	014231609	MOUNTING CENTRAL PLATE
94	014241609	MOUNTING RIGHT PLATE
96	180130009A	SCREW 4.8x9.5 TG (SINGLE)
102	180290081A	ANTIWEAR CORD GUIDE (SINGLE)
103	014370136	FILTER VACUUM MOTOR
104	014250329	SUPPORT SIDE METAL
105	180360081	BRUSH SUPPORT KIT WITH BEARINGS
106_	089810381	BRUSH ROLLER LW46 W/ INSERT BRISTLE 0,20 BLACK
106_	089820381	BRUSH ROLLER LW46 W/ INSERT BRISTLE 0,25 RED (STIFF) [STANDARD]
106_	089830381	BRUSH ROLLER LW46 W/ INSERT BRISTLE 0,30 YELLOW (MOST STIFF)
106_	180050381	BRUSH ROLLER SMOOTH W/ INSERT WHITE (POLISHING PAD)
106_	180060381	BRUSH ROLLER SMOOTH W/ INSERT RED (ABRASIVE PAD)
106_	180510381	BRUSH ROLLER SMOOTH W/ INSERT GREEN (MOST ABRASIVE PAD)
106_	180880081	BRUSH ROLLER W/ INSERT BRISTLE 0,25 BLACK / LW46 DUAL CORE HYBRID
107	008740307	EXTRUDED SWEEP RUBBER
108	000460307	STRAIN RELIEF D.6 V.100/230/240
109	008530400	WATER DISTRIBUTION CHANNEL
110	180330081	WIRES PROTECTION TUBE
111	008540400	HOLED DISTRIBUTION CHANNEL
112	024010028	BOARDS CONNECTION WIRES
113	008550305	COVER TRANSMISSION
114	180301281	BASE HOUSING LW46
115	089840081	TRANSMISSION SUPPORT COMPLETE
116	180340080	PUMP WIRES KIT (2 PCS)
117_	023930000	CIRCUIT CONTROL BOARD V.24 / LW46 HYBRID
117_	,024550000	CIRCUIT CONTROL BOARD / LW46 ELECTRIC
117_	,024530000	CIRCUIT CONTROL BOARD V.24 / LW46 DUAL CORE HYBRID
118	087260009A	SCREW 3.9x22 (SINGLE)
119	023940000	FUSES CIRCUIT BOARD V.24 / LW46 HYBRID
120	,030690300A	WHEEL (SINGLE)
121	008320305	SUPPORT CENTRAL WHEEL
122	088620081	DRIVE JOINT BASE
123	014260029	LEVER CENTRAL WHEEL
124	008570305	BRIDGE LEVER
125	180140009A	SCREW 4.8x22 (SINGLE)
126	023900000	CHARGER BATTERY 24V / LW46 HYBRID
127	014170315	GASKET VAC. MOTOR ADHESIVE
128	008270305	HANDLE REAR
129	008830307	GASKET SUCTION GROUP
130_	181000081	VACUUM MOTOR R31ALSS V.24 CC W.360 / LW46 HYBRID
130_	181970080	VACUUM MOTOR R31ALSS V.120/60 W.600 / LW46 ELECTRIC
130_	181290081	VACUUM MOTOR R31ALSS V.24 CC W.450 / LW46 DUAL CORE HYBRID
131	000220308	GASKET FAN COVER
132_	051520081	BRUSH MOTOR MP77 V.24 CC W.150 / LW46 HYBRID
132_	,051600080	BRUSH MOTOR R74/45 V.120/60 W.300 / LW46 ELECTRIC
133	008580305	BRIDGE BRUSH MOTOR
134_	089920081	KIT SQUEEGEE LW46 (POLYURETHANE)
134_	089910081	KIT SQUEEGEE LW46 (STANDARD) (OLD STYLE)
140	008790300	CONVEYOR VAC MOTOR
141	180150081	DOUBLE PULLEY KIT (1 PC)
142	014090315	GASKET TANKS SUPPORT

143	014400300	TIMING BELT 8.5mm
144	008590305	BRIDGE DOUBLE TRANSMISSION
145	089850000	WATER TUBE D.4 L.60 mm
146	180310029	SPACER PINION
147	002880029	PINION
148	180160009A	NUT M4 (SINGLE)
149_	088590000A	PROTECTION FILTER PUMP (SINGLE) (OLD LW30/38 FILTER)
149_	183040081	KIT 3 WATER FILTERS PUMP (NEW FILTER)
150_	023950000	PUMP 24V AC / LW46 HYBRID
150_	,023290000	PUMP V.120/60 / LW46 ELECTRIC
151	008600305	BRIDGE PUMP
152	087740009A	SCREW 3.9x45 (SINGLE)
153	089860000	WATER TUBE D.4 L.1000 mm
154	089870000	WATER TUBE D.4 L.305 mm
155	008850300	"Y" CONNECTOR
156	089880000	WATER TUBE D.4 L.105 mm
157	089890081	90° CONNECTOR WITH INSERT
158	007480300	90° CONNECTOR
159	007360308	GASKET PUMP
160	008610305	SUPPORT WATER SENSOR
161	007350308	GASKET PUMP
162	008620305	COVER MOTOR - CIRCUIT BOARD
163	014070014	BATTERY POLE (-) / LW46 HYBRID
164_	180171281	COVER REAR WHEELS GREY (SET OF 2)
164_	180171381	COVER REAR WHEELS RED (SET OF 2)
165	180180009A	NUT M10 AB (SINGLE)
166	014060014	BATTERY POLE (+) / LW46 HYBRID
167	060230081	REAR WHEEL D.200
168	180190009A	SPACER REAR WHEEL (SINGLE)
169	180200009A	SCREW WHEEL M10x45 (SINGLE)
170	024060012	BATTERY - BATTERY CABLE / LW46 HYBRID
171	023960000	BATTERY OPTIMA YT S 2.7 12V / LW46 HYBRID
172_	180321681	BASE COVER WITH GREY LOGO
172_	180321381	BASE COVER WITH RED LOGO
173	014270029	FRONT HANDLE RIGHT
174	087270009A	SCREW 4.8x50 (SINGLE)
175_	008651205	COVER FRONT HANDLE RIGHT GREY
175_	008651305	COVER FRONT HANDLE RIGHT RED
176	180584181	COVER BATTERY CHARGER
177_	003131204	ADJUSTING KNOB GREY
177_	003131304	ADJUSTING KNOB RED
178	000990305	BRUSH ADJUSTER
179_	089900081	SIDE WHEELS GREY, SUPPORT, SCREW (SET OF 2 / 6 PCS TOTAL)
179_	089901381	SIDE WHEELS RED, SUPPORT, SCREW (SET OF 2 / 6 PCS TOTAL)
180	014670009	CORD BLOCK
181	014291609	SUPPORT PLATE
182	024050012	BATTERY - BOARD CABLE BLACK / LW46 HYBRID
183	014690009	CORD PROTECTION GUIDE
184	014680009	FLEX STEEL CORD
185	024040012	BATTERY - BOARD CABLE RED / LW46 HYBRID
186	180210009A	WASHERS 6x20 (SINGLE)
187	086970009A	SCREW 3.9x32 (SINGLE)
188	181980381	KIT MOTOR SUPPORT / LW46 ELECTRIC (2 PCS)
189	,024570000	SPEED SENSOR / LW46 ELECTRIC
193	180250009A	SCREW M8x50 (SINGLE)



194	180260009A	NUT M8 AB (SINGLE)
195	086930009A	SCREW 3.9x9.5 (SINGLE)
196	014280029	FRONT HANDLE LEFT
197_	008661205	COVER FRONT HANDLE LEFT GREY
197_	008661305	COVER FRONT HANDLE LEFT RED
198	180271381A	RED CLIP + SCREW (SINGLE)
199	032070000	HOSE SQUEEGEE
200	014300315	JOINT GASKET
201	014320009	SPRING BASE LIFTING
202	014550316	SOUND INSULATION
203	024110000	WATER SENSOR
204	085590009A	SCREW 3.9x13 (SINGLE)
205	180370381	FRONT BUMPER
206	014160000	BALLAST PB
207	014340316	FILTER INTAKE COOLING AIR
208	014350316	FILTER EXHAUST COOLING AIR
209	014360316	FILTER EXHAUST SUCTION AIR
210	014700316	SOUND INSULATION
211	010210016	FOAM FILTER MOTOR
212	014720016	FOAM FILTER BASE
213	014920009	STAINLESS STEEL PLATE

**CONCENTRATED FLOOR CLEANING SOLUTION DESIGNED FOR LINDWASH FLOOR SCRUBBERS**

CHE-7500 PURE POWER / NEUTROLUX - 12 QUARTS (ALL PURPOSE FLOOR CLEANER)  
CHE-6000 PURE POWER / POWER SCRUB - 12 QUARTS (COMMERCIAL FLOOR CLEANER)  
CHE-6100 PURE POWER / POWER SCRUB - 4 GALLONS (COMMERCIAL FLOOR CLEANER)

\_181240081 CARPET NOZZLE LW46

**ENCAPSULATION IS LOW MOISTURE CARPET CLEANING METHOD / USE MACHINE WITH CARPET NOZZLE**

CHE-7000 PURE POWER / OXY-GEN - 12 QUARTS (ENCAPSULATION CARPET CLEANER)