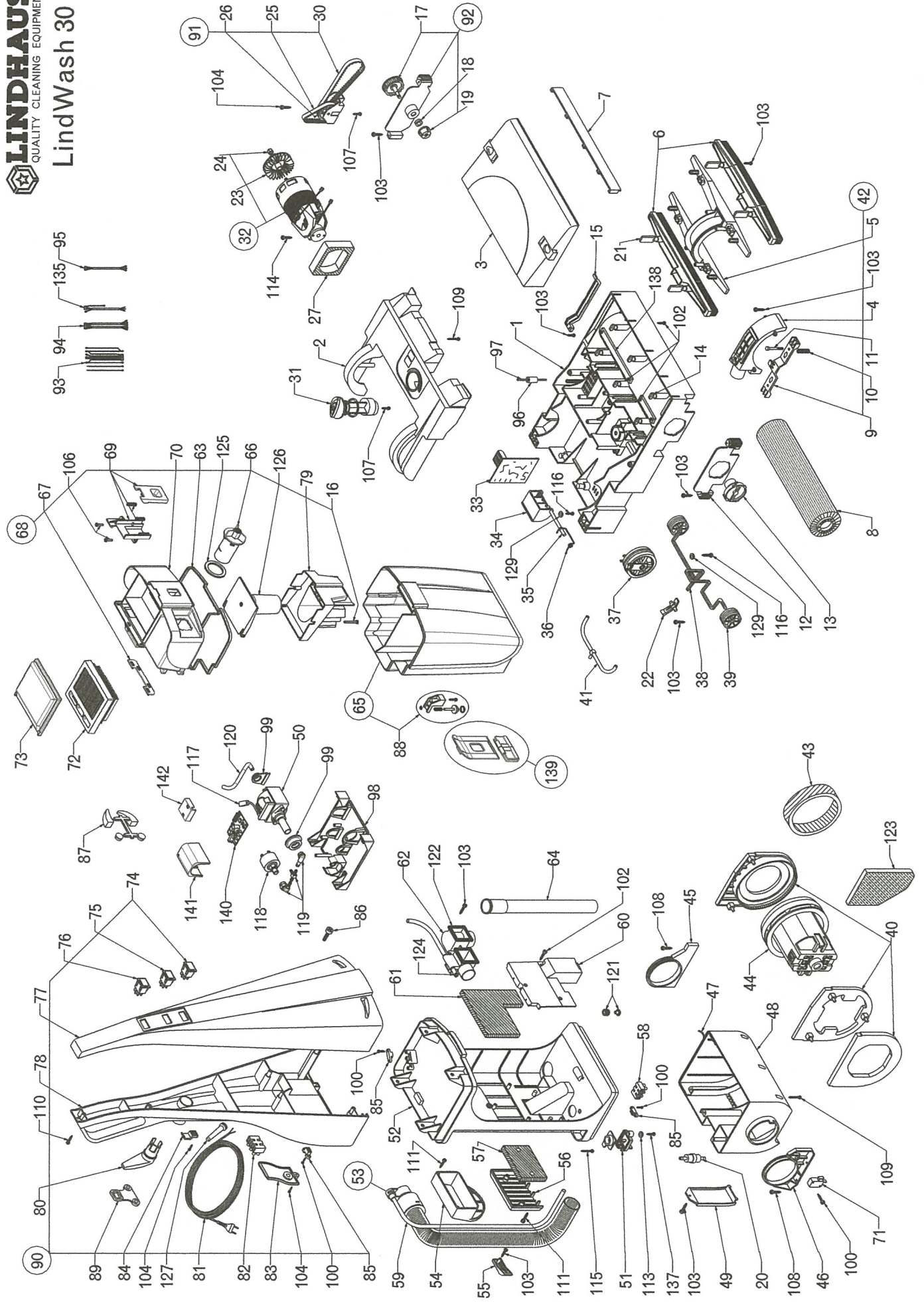
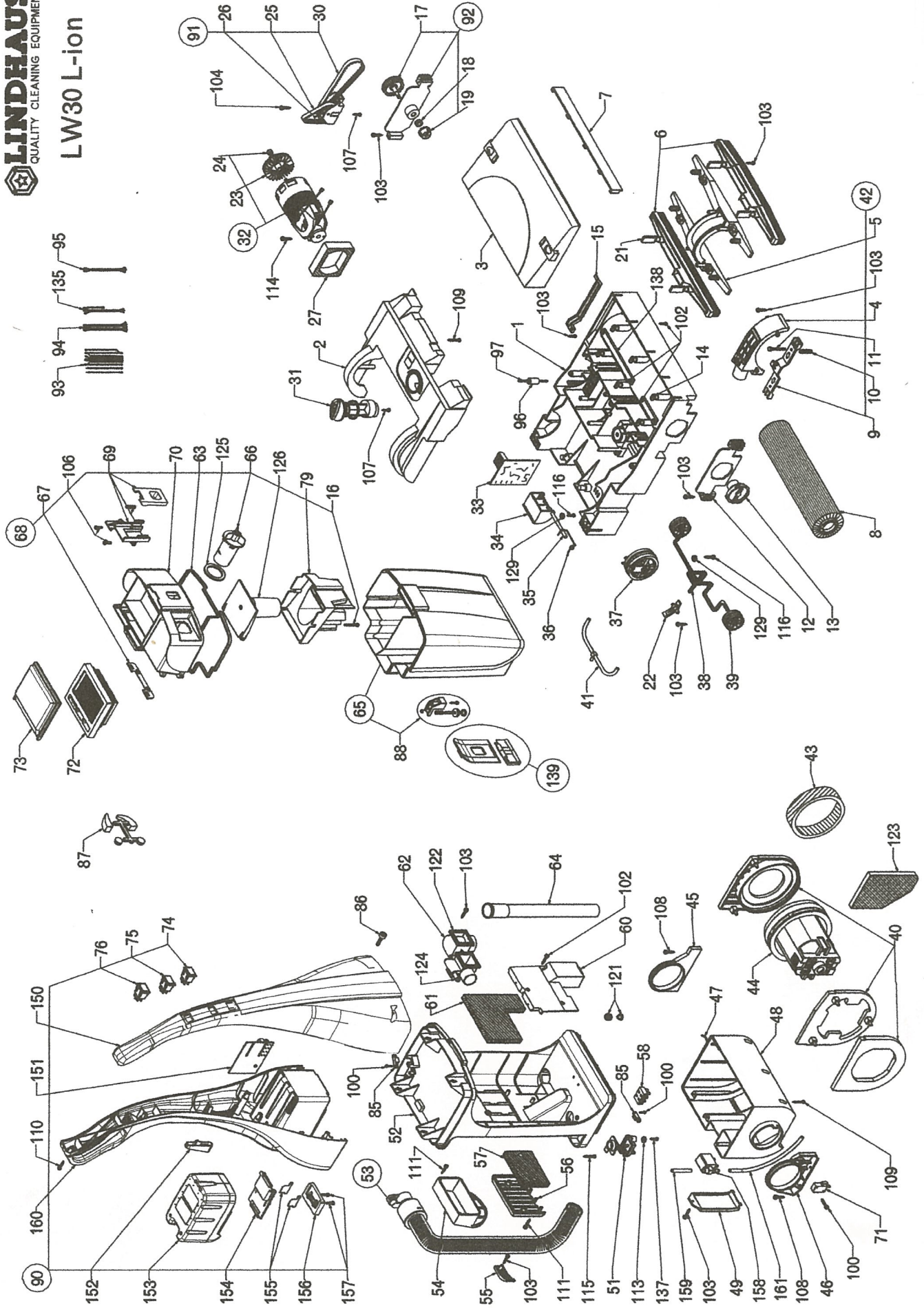


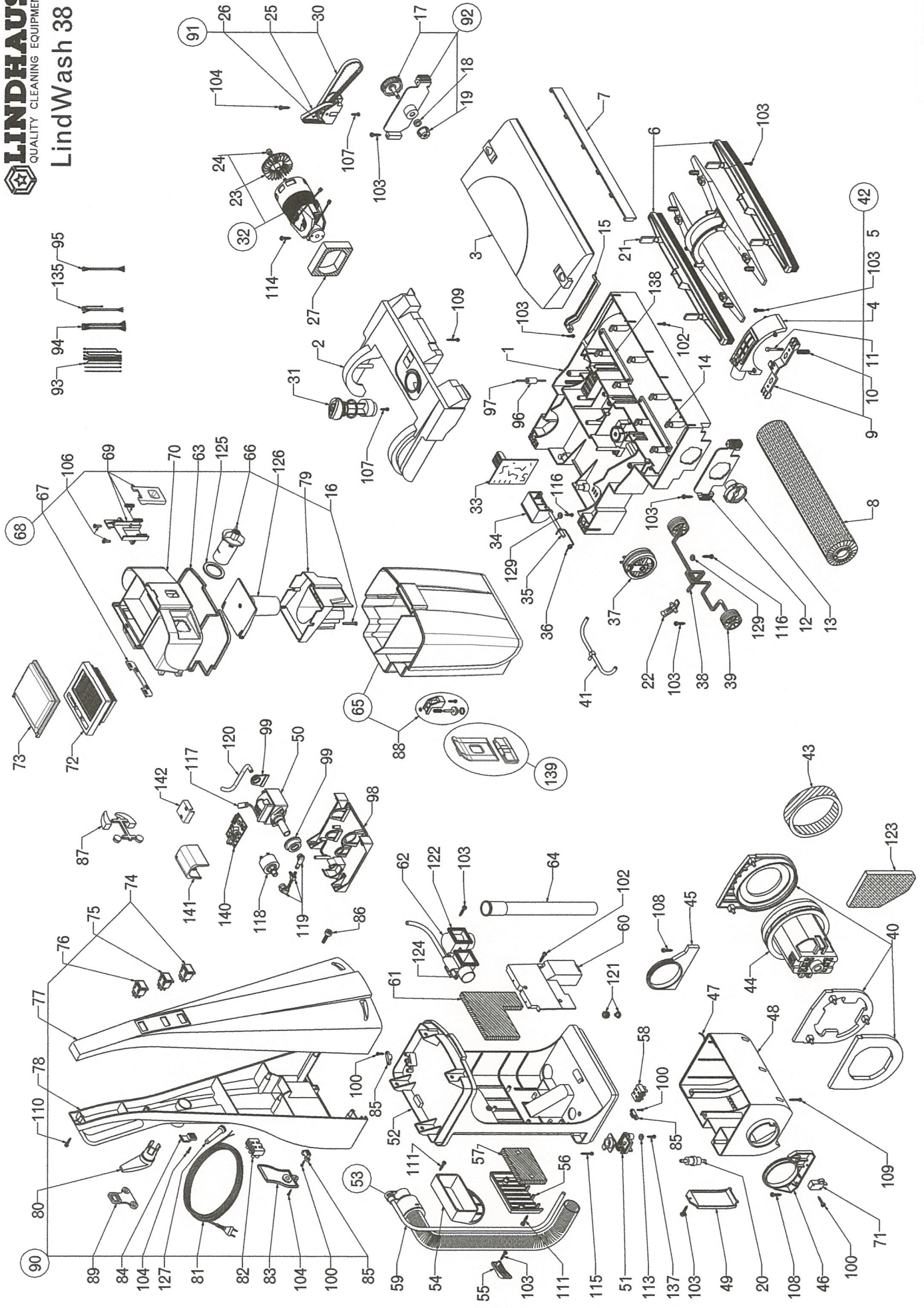
LindWash 30



LW30 L-ion



LindWash 38





VIA BELGIO, 22 Z.I. - 35127 PADOVA - ITALY

Ph. +39 049 8700307 - Fax +39 049 8700605

e-mail: vacuum@lindhaus.it - www.lindhaus.it

Cod.Fiscale - P.IVA - Reg.Imp.PD 02151740285

Capitale Sociale 46.800,00 i.v.

LINDHAUS U.S.A.

P.O. BOX 159 / 12941 EAGLE CREEK PARKWAY
SAVAGE, MN 55378

www.lindhaususa.com

www.lindhaus.net

info@lindhaus.com

1-800-498-7526 / 952-707-1131

FAX: 952-707-1134

PARTS LIST

EFFECTIVE FROM DATE PAGE
01/01/2018 01/01/2018 1/4

LW30 / LW30 L-ION / LW38 - LINDWASH FLOOR SCRUBBER ECO FORCE

MODEL: 151208 (LW30) / 151210 (LW30 L-ION) / 151511 (LW38)

Pos	Part Number	Description
1_	,088181281	BASE HOUSING 30 (12") [LW30 / LW30 L-ION]
1_	,088191281	BASE HOUSING 38 (14") [LW38]
2_	183074681	BRUSH MOTOR COVER GREY [LW30 / LW38]
2_	182284681	BRUSH MOTOR COVER GREY [LW30 L-ION]
3_	183084681	BASE HOUSING COVER 30 (12") GREY [LW30]
3_	182294681	BASE HOUSING COVER 30 (12") GREY [LW30 L-ION]
3_	183094681	BASE HOUSING COVER 38 (14") GREY [LW38]
4	,088710081	CONVEYOR COVER
5_	,006670305	CONVEYOR 30 (12") [LW30 / LW30 L-ION]
5_	,006680305	CONVEYOR 38 (14") [LW38]
6_	,089650081	SQUEEGEE KIT 30 (12") (2 PCS) [LW30 / LW30 L-ION]
6_	,089480081	CARPET NOZZLE KIT 30 (12") FOR CARPET ENCAPSULATION (2 PCS) [LW30 / LW30 L-ION]
6_	,089730081	SQUEEGEE KIT 38 (14") (2 PCS) [LW38]
7_	,006733812	FRONT BUMPER 30 (12") BLUE [LW30 / LW30 L-ION]
7_	,006743812	FRONT BUMPER 38 (14") [LW38]
8_	,088270381	BRUSH ROLL 30 (12") BLACK BRISTLE [STANDARD] [LW30 / LW30 L-ION]
8_	,088250381	BRUSH ROLL 30 (12") WHITE (SOFT BRISTLE) BRISTLE [LW30 / LW30 L-ION]
8_	180090381	BRUSH ROLL 30 (12") WHITE (SOFT PAD) SMOOTH (POLISHING) [LW30 / LW30 L-ION]
8_	,087800381	BRUSH ROLL 30 (12") RED (STIFF BRISTLE) BRISTLE [LW30 / LW30 L-ION]
8_	180100381	BRUSH ROLL 30 (12") RED (STIFF PAD) SMOOTH (SCOURING) [LW30 / LW30 L-ION]
8_	,088280381	BRUSH ROLL 38 (14") BLACK BRISTLE [STANDARD] [LW38]
8_	,088260381	BRUSH ROLL 38 (14") WHITE (SOFT BRISTLE) BRISTLE [LW38]
8_	180070381	BRUSH ROLL 38 (14") WHITE (SOFT PAD) SMOOTH (POLISHING) [LW38]
8_	,087810381	BRUSH ROLL 38 (14") RED (STIFF BRISTLE) BRISTLE [LW38]
8_	180080381	BRUSH ROLL 38 (14") RED (STIFF PAD) SMOOTH (SCOURING) [LW38]
9	,013360329	CONVEYOR SUPPORT
10	,088290009A	SPRING NOZZLE (SINGLE)
11	,088300009A	SCREW M4x40 (SINGLE)
12	,087820081	SUPPORT, SIDE WHEELS
13	,087830081	BRUSH SUPPORT WITH BEARINGS
14	180421381A	RED CLIP+SCREW (SINGLE)
15	,006781204	BELT COVER
16	,089720009A	SCREW 3.5x38 IX (SINGLE)
17	,060180081	PULLEY
18	,013420307	V RING D.10
19	,088620081	DRIVE JOINT BASE
20	,088590000A	FILTER (BARREL), PUMP PROTECT (SINGLE) {SEE #121 FOR KIT}
21	,007381304	RED CLIP SQUEEGEE
22	,013700029	BASE LIFT LEVER
23	,006820300	FAN PULLEY

24	,088310009A	NUT M5 (SINGLE)
25	,013440300	TIMING BELT 8mm L.174
26	,086430081	DOUBLE PULLEY WITH BEARINGS
27	,010580016	FILTER, BRUSH MOTOR
30	,013450300	TIMING BELT 8mm L.327
31	,006833804	ADJUSTING HEIGHT KNOB BLUE
32_	,051190080	BRUSH MOTOR 120/60 [LW30 / LW38]
32_	,051710081	BRUSH MOTOR R74/35V V.36 CC W.150 [LW30 L-ION]
32A_	021260000	CARBON BRUSH FOR BRUSH MOTOR R73 (SET OF TWO)
33_	,025390000	CIRCUIT BOARD V.120 [LW30 / LW38]
33_	,025130000	CIRCUIT BOARD BRUSH MOTOR V.36 [LW30 L-ION]
34	,006840104	FOOT PEDAL
35	,013470009	SHAFT, FOOT PEDAL
36	,013480009	SPRING, FOOT PEDAL
37	085490081	REAR WHEEL ASSEMBLY
38	,013290009	SHAFT, FRONT WHEEL
39	002260000	FRONT WHEEL RUBBER
40	,088320381	GASKET KIT, VACUUM MOTOR (3 PCS)
41	,088500000	BASE TUBE KIT (1 PC)
42_	,088330081	CONVEYOR NOZZLE KIT 30 (12") (1 PC) [LW30 / LW30 L-ION]
42_	,088340081	CONVEYOR NOZZLE KIT 38 (14") (1 PC) [LW38]
43	,013540316	FILTER, VACUUM MOTOR
44_	,087850080	VACUUM MOTOR V.120 WITH GASKETS [LW30 / LW38] {CONTAINS #40}
44_	182210081	VACUUM MOTOR V.36 WITH GASKETS [LW30 L-ION] {CONTAINS #40}
45	,006950404	MOTOR HOUSING SUPPORT LEFT
46	,006940404	MOTOR HOUSING SUPPORT RIGHT
47	,088510000	GASKET, MOTOR HOUSING
48	,006261233	MOTOR HOUSING
49	,006964146	MOTOR HOUSING COVER
50	,023290000	PUMP V.120/60 [LW30 / LW38]
51_	,087860081	VALVE KIT (4 PCS)
51A_	,013690037	FILTER BLUE (ONLY)
52	,088351201	UPPER HOUSING
53_	,088520081	HOSE, SUCTION ASSEMBLY [LW30 / LW38]
53_	182260081	HOSE, SUCTION ASSEMBLY [LW30 L-ION]
54	,007010101	TRANSPORT HANDLE
55	,007021204	HOSE HOOK
56	,007031204	GRILL, EXHAUST FILTER
57	,013550316	EXHAUST FILTER
58_	,022850400	TERMINAL BLOCK 16A 3 POSITION [LW30 / LW38]
58_	,023090400	TERMINAL BLOCK 16A 4 POSITION [LW30 / LW38]
58_	,022810400	TERMINAL BLOCK 16A 5 POSITION [LW30 L-ION]
59	,088530000	TUBE D.4 L.730mm [LW30 / LW38]
60	,007051204	AIR CONVEYOR
61	,013560316	FILTER, AIR CONVEYOR
62	,088360381	CONVEYOR AIR / WATER
63	,013570315	GASKET, FILTER HOUSING
64	,088370381	INTERNAL TUBE WITH GASKET
65	,087884181	WATER TANK COMPLETE GREY {CONTAINS #88}
66	,007083101	DOSING CUP
67	,007091201	LATCH, FILTER HOUSING REAR
68	183124181	FILTER HOUSING COMPLETE GREY ECO FORCE
69	,088140181	LATCH KIT, FILTER HOUSING FRONT
70	,009494101	FILTER HOUSING GREY ECO FORCE
71	,023520000	MICROSWITCH
72	,013580000	FILTER, WATER TANK (WASHABLE)
73	,007103101	FILTER COVER
74	,025410000	MAIN SWITCH
75	,025420000	VACUUM SWITCH
76_	,023450000	PUMP SWITCH [LW30 / LW38]
76_	,024070000	PUMP SWITCH V.24 [LW30 L-ION]

77	,006884601	FRONT HANDLE GREY [LW30 / LW38]
78	,006891233	REAR HANDLE GREY [LW30 / LW38]
79	,007773101	ANTI-SPLASH
80	,007110101	ROTATING CORD HOOK [LW30 / LW38]
81	022480020	CORD 3x18 12,5 MT. USA PLUG YELLOW (3 PRONG / 41 FT) [LW30 / LW38]
82_	,021680400	TERMINAL BLOCK 16A 2 POSITION [LW30 / LW38]
82_	,022850400	TERMINAL BLOCK 16A 3 POSITION [LW30 / LW38]
83	,006901201	TERMINAL BLOCK COVER [LW30 / LW38]
84	,001690110	UPPER CORD HOOK / STRAIN RELIEF GREY [LW30 / LW38]
85	,000070305	CORD CLAMP
86	,088390009A	SCREW M6x20 (SINGLE)
87	,006913812	RUBBER CUP KIT BLUE (4 PCS)
88	,087870081	VALVE KIT, WATER TANK (1 PC)
89	,006040308	STRAIN RELIEF, UPPER, ANTI-TEARING CORD SAFETY GUARD [LW30 / LW38]
90_	,088424680	ELECTRIC PANEL COMPLETE V.120/60 GREY [LW30 / LW38]
90_	182314681	ELECTRIC PANEL COMPLETE V.36 WITH CIRCUIT BOARD [LW30 L-ION]
91	,087890081	CENTRAL TRANSMISSION SUPPORT WITH BELTS
92	,087900081	TRANSMISSION SUPPORT COMPLETE
93_	,089020028	ELECTRIC PANEL WIRE KIT V.120/60 [LW30 / LW38]
93_	182230028	ELECTRIC PANEL WIRE KIT V.36 [LW30 L-ION]
94_	,023130320	UPPER HOUSING WIRE KIT V.120/60 [LW30 / LW38]
94_	,024870320	UPPER HOUSING WIRE KIT V.36 [LW30 L-ION]
95_	,023650320	BASE HOUSING WIRE KIT V.120/60 [LW30 / LW38]
95_	,024890320	BASE HOUSING WIRE KIT V.36 [LW30 L-ION]
96	,006050104	SIDE WHEEL
97	,013490009	SHAFT, SIDE WHEEL
98	,007420304	PUMP HOLDER [LW30 / LW38]
99	,088430308	RUBBER SUPPORT, PUMP [LW30 / LW38]
100	085610009A	SCREW 2.9x16 (SINGLE)
102_	088990009A	SCREW 3.5x9.5 (SINGLE) [LW30 / LW38]
102_	088940009A	SCREW 3.5x9.5 IX (SINGLE) [LW30 L-ION]
103	088440009A	SCREW 3.5x13 IX (SINGLE)
104	085560009A	SCREW 3.9x16 (SINGLE)
106	,088450009A	SCREW 3.5x16 1X (SINGLE)
107_	089000009A	SCREW 4x12 HILO (SINGLE) [LW30 / LW38]
107_	086450009A	SCREW 3.9x13 TG (SINGLE) [LW30 L-ION]
108_	085550009A	SCREW 3.5x25 (SINGLE) [LW30 / LW38]
108_	087250009A	SCREW 3.5x22 (SINGLE) [LW30 L-ION]
109_	,087250009A	SCREW 3.5x22 (SINGLE) [LW30 / LW38]
109_	085550009A	SCREW 3.5x25 (SINGLE) [LW30 L-ION]
110_	085570009A	SCREW 3.5x32 (SINGLE) [LW30 / LW38]
110_	086970009A	SCREW 3.9x32 (SINGLE) [LW30 L-ION]
111	,087260009A	SCREW 3.9x22 (SINGLE)
113	,087290009A	WASHER 4.3 D.12 (SINGLE)
114	085580009A	SCREW 3.9x19 (SINGLE)
115	,089050009A	SCREW 4x45 HILO (SINGLE)
116	,088980009A	SCREW 5x16 HILO (SINGLE)
117	,023500028	CORD WITH THERMAL PROTECTOR, PUMP [LW30 / LW38]
118	,023380000	ELECTRIC PRESSURE SWITCH / PRESSOSTAT PUMP
119	,088470000	CONNECTION TUBE KIT (1 PC) [LW30 / LW38]
120	,088570000	TUBE D.4 L.760mm [LW30 / LW38]
121_	,089180081	WATER FILTER PUMP KIT (3 PCS) {CONTAINS #20} [NOT AS SHOWN ON DIAGRAM]
121A_	,013690037	FILTER BLUE (ONLY)
122	,088490000	N.2 GASKET CONVEYOR (2 PCS)
123	,013590316	FILTER, MOTOR
124	,088560000A	O-RING (SINGLE)
125	,013520315	GASKET, DOSING CUP
126	,088930381	TRIMMER
127	,010830307	STRAIN RELIEF, CORD V.100/120 D.8 [LW30 / LW38]
129	,087290009A	WASHER 4.3 D.12 (SINGLE)
135_	,023640028	MOTOR HOUSING WIRE KIT V.120 [LW30 / LW38]
135_	,024880028	MOTOR HOUSING WIRE KIT V.36 [LW30 L-ION]

137	089000009A	SCREW 4x12 HILO (SINGLE)
138_	,007403101	SHORT (12") COVER PIPE KIT (2 PCS) [LW30 / LW30 L-ION]
138_	,007413101	LONG (14") COVER PIPE KIT (2 PCS) [LW38]
139	183110181	FRONT HOOK, WATER TANK ECO FORCE
140	,024840000	WATER SENSOR CS5017 V.100-240/50-60 [LW30 / LW38]
141	,007630304	PRESSURE SWITCH PROTECTION [LW30 / LW38]
142	,007640304	PUMP PROTECTION [LW30 / LW38]
150	,006884601	FRONT HANDLE GREY ECO FORCE [LW30 L-ION]
151	,025140000	CIRCUIT BOARD V.36 [LW30 L-ION]
152	100530035	LENS, REAR HANDLE [LW30 L-ION]
153	,025350000	BATTERY, L-ION V.36 DC 6.0 Ah [LW30 L-ION]
154	100644605	BATTERY SUPPORT [LW30 L-ION]
155	182300000A	CONTACTS L-ION BATTERY (SINGLE) [LW30 L-ION]
156	100654605	CONTACT COVER [LW30 L-ION]
157	087050009A	SCREW 3.5x16 (SINGLE) [LW30 L-ION]
158	,025180000	ELECTROVALVE V.36 [LW30 L-ION]
159	182240000	TUBE D.4 L.25mm [LW30 L-ION]
160	100631233	REAR HANDLE [LW30 L-ION]
161	182250000	TUBE D.3 L.340mm [LW30 L-ION]
	_088160081	UPHOLSTERY KIT (2 PCS) (LW30 / LW38)
	_032090000	WINDOW CLEANING KIT (LW30 / LW38) {REQUIRES HOSE FROM UPHOLSTERY KIT}

CONCENTRATED FLOOR CLEANING SOLUTION DESIGNED FOR LINDWASH FLOOR SCRUBBERS

CHE-7500	PURE POWER / NEUTROLUX - 12 QUARTS (ALL PURPOSE FLOOR CLEANER)
CHE-6000	PURE POWER / POWER SCRUB - 12 QUARTS (COMMERCIAL FLOOR CLEANER)
CHE-6100	PURE POWER / POWER SCRUB - 4 GALLONS (COMMERCIAL FLOOR CLEANER)

ENCAPSULATION IS LOW MOISTURE CARPET CLEANING METHOD / USE MACHINE WITH CARPET NOZZLE [#6]

CHE-7000	PURE POWER / OXY-GEN - 12 QUARTS (ENCAPSULATION CARPET CLEANER)
----------	---