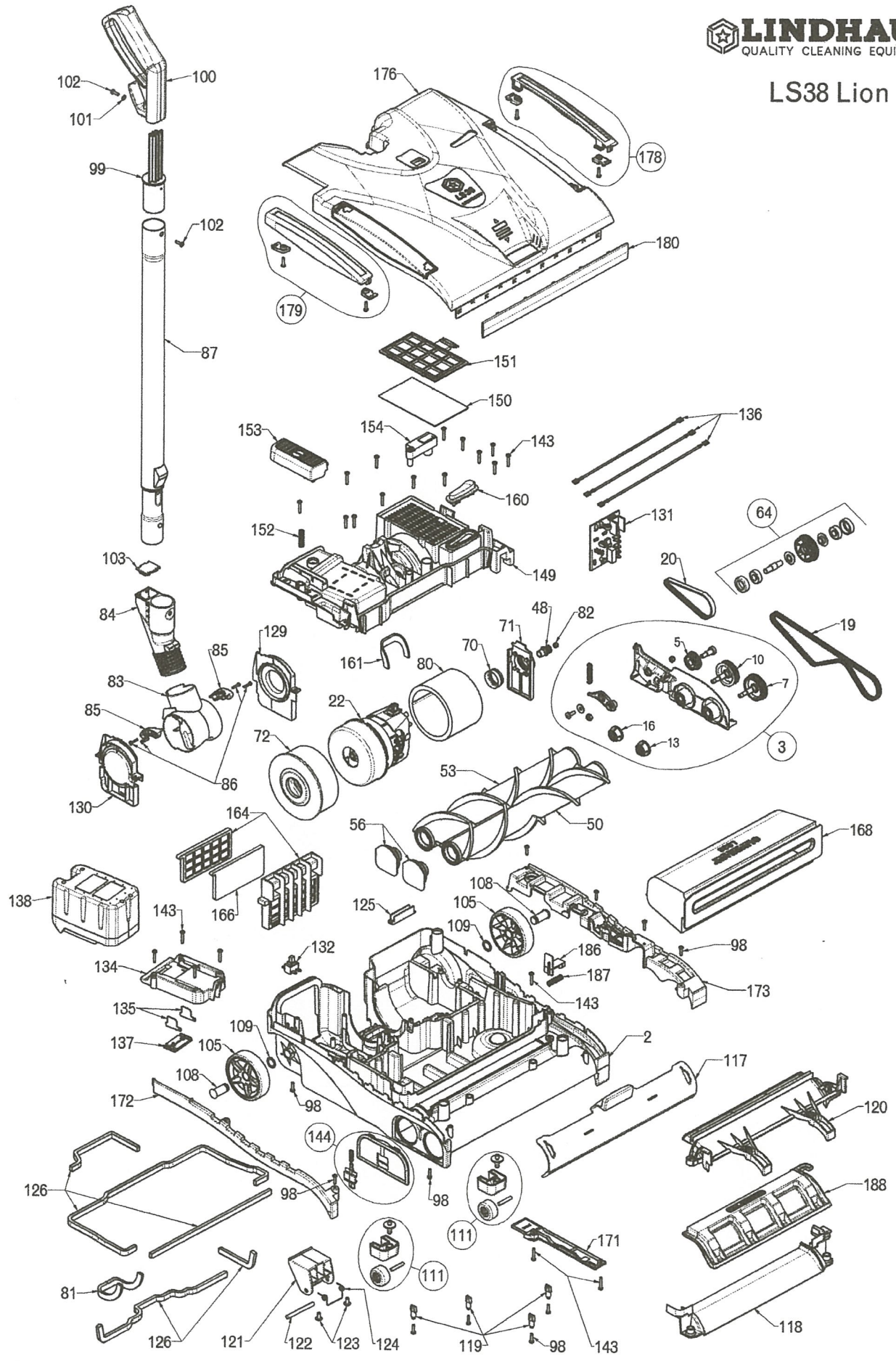
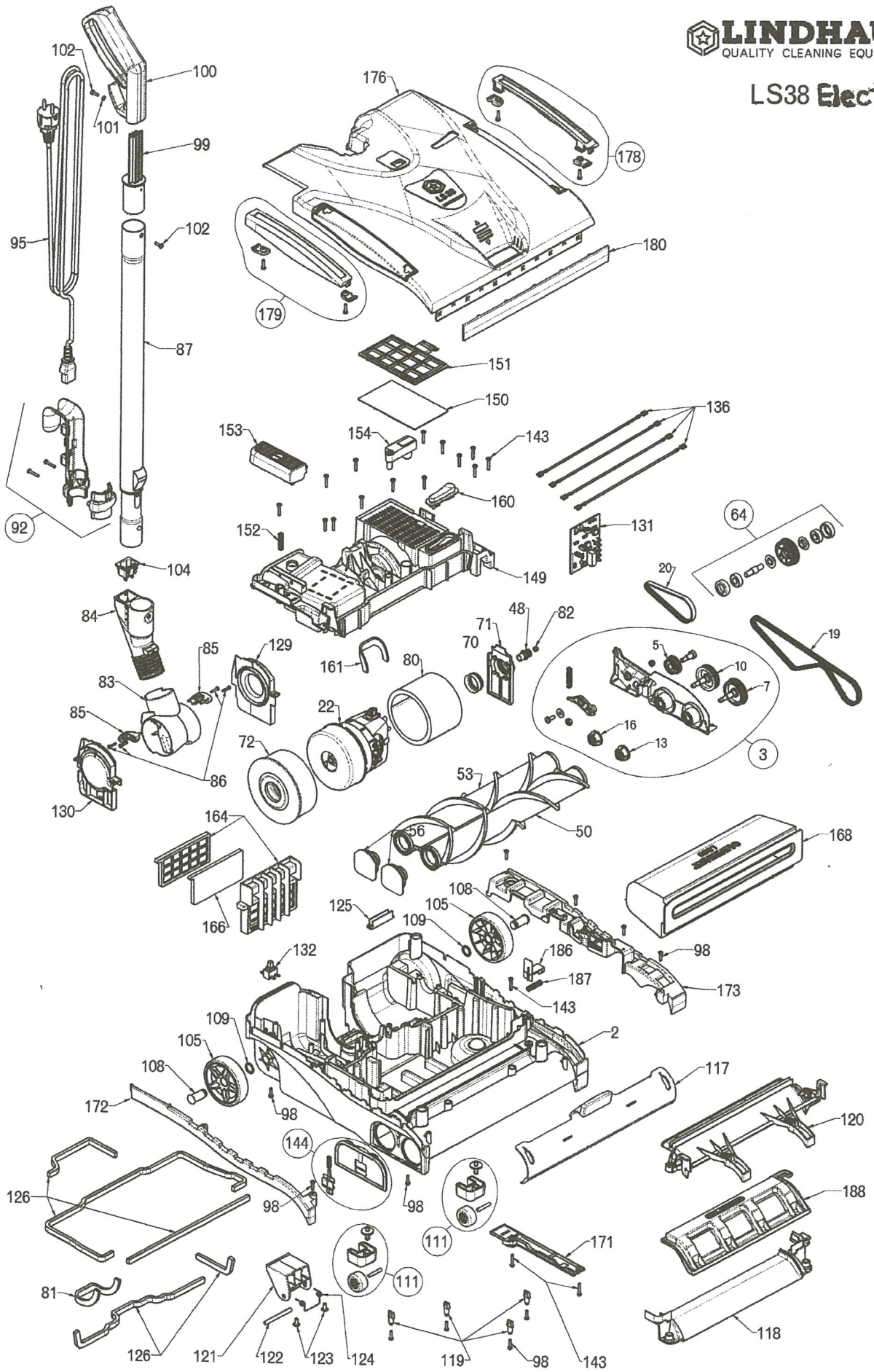


LS38 Lion



# LS38 Electric





VIA BELGIO, 22 Z.I. - 35127 PADOVA - ITALY

Ph. +39 049 8700307 - Fax +39 049 8700605

e-mail: vacuum@lindhaus.it - www.lindhaus.it

Cod.Fiscale - P.IVA - Reg.Imp.PD 02151740285

Capitale Sociale 46.800,00 i.v.

**LINDHAUS U.S.A.**

P.O. BOX 159 / 12941 EAGLE CREEK PARKWAY  
SAVAGE, MN 55378

[www.lindhaususa.com](http://www.lindhaususa.com)

[www.lindhaus.net](http://www.lindhaus.net)

[info@lindhaus.com](mailto:info@lindhaus.com)

1-800-498-7526 / 952-707-1131

FAX: 952-707-1134

**PARTS LIST**

EFFECTIVE FROM                      DATE                      PAGE  
**01/06/2017**                      **01/06/2017**                      **1/2**

**LS38 L-ION / LS38 ELECTRIC**

**MODEL: 201528 (LS38 L-ION) / 211526 (LS38 ELECTRIC)**

Pos	Part Number	Description
2_	182341281	BASE HOUSING (LS38 L-ION)
2_	182571281	BASE HOUSING (LS38 ELECTRIC)
3	182330081	TRANSMISSION SUPPORT [COMPLETE]
5	,060380081	PULLEY WITH BALL-BEARINGS
7	,060290081	PULLEY WITH SHAFT
10	,060370081	REAR PULLEY
13	,088620081	DRIVE JOINT
16	,060360081	REAR DRIVE JOINT
19	,015430300	TIMING BELT 564 H5 LS38 (FRONT)
20	,015420300	TIMING BELT 252 M7 LS38 (REAR)
22_	,051760081	MOTOR R26/20APS 36CC W.270 (LS38 L-ION)
22_	,051770080	MOTOR R26/20APS V.120/60 W.400 (LS38 ELECTRIC)
48	,015500029	PINION
50	182130381	FRONT BRUSH ROLL LS38 (14") 2 BRISTLE 0,20 BLACK + INSERT
53	182140381	REAR BRUSH ROLL LS38 (14") 2 BRISTLE 0,15 WHITE + INSERT
56	,081950081	ROLLER SUPPORT
64	180150081	DOUBLE PULLEY KIT
70	100890000	BUSHING MOTOR
71	182590381	BRUSH HOLDER GASJET WITH MOTOR BUSHING
72	,015390300	MOTOR GASKET
80	,010210016	FILTER, FOAM MOTOR
81	,015490017	FELT BASE
82	182400009A	NUT M5 (SINGLE)
83	100420305	JOINT
84	101250305	JOINT TOP CURVE
85	182410081	JOINT SIDE GUIDES (2 PCS)
86	,085610009A	SCREW 2.9x16 (SINGLE)
87	,015900013	TELESCOPIC WAND, METAL SILVER GREY
92	182550381	CORD HOOK KIT (4 PCS)
95_	,025250320	CORD 2x18 10.7 MT. USA PLUG BLACK (2 PRONG / 35.1 FT) (LS38 ELECTRIC)
95_	024180020	CORD 3x18 12.5 MT. USA PLUG YELLOW (3 PRONG / 49.2 FT) (LS38 ELECTRIC)
98	,087050009A	SCREW 3.5x16 (SINGLE)
99	,005250338	HANDLE ADAPTOR
100	,085463881	HANDLE GRIP BLUE
101	,086460009A	WASHER (SINGLE)
102	,085560009A	SCREW 3.9x16 (SINGLE)
103	100780300	JOINT COVER
104_	,023920300	POWER INLET CONNECTOR BLACK 2 WAY (2 PRONG) (LS38 ELECTRIC)
104_	,025240300	POWER INLET CONNECTOR BLACK 3 WAY (3 PRONG) (LS38 ELECTRIC)
105	100400000	REAR WHEEL

108	,015340009	SHAFT REAR WHEEL
109	182420009A	WASHER D.13 (SINGLE)
111	182360081	FRONT WHEELS KIT (2 PCS)
117	100591233	FLAP
118	100604601	BAG CONVEYOR LOWER
119	182541381	RED CLIP + SCREW (SINGLE)
120	100614601	BAG CONVEYOR UPPER
121	100481304	FOOT PEDAL RED
122	,015360009	SHAFT FOOT PEDAL
123	085640009A	SCREW 4.8x13 (SINGLE)
124	,015280009	SPRING, FOOT PEDAL
125	100790300	CHANNEL WIRES HOLDER
126	182430081	GASKET KIT
129	100810303	JOINT SUPPORT LEFT
130	100820303	JOINT SUPPORT RIGHT
131_	,025150000	CIRCUIT BOARD V.36 DC (LS38 L-ION)
131_	,025160000	CIRCUIT BOARD V.120 (LS38 ELECTRIC)
132	024660000	MAIN SWITCH
134	100754605	BATTERY SUPPORT (LS38 L-ION)
135	182300000A	CONTACTS L-ION BATTERY (SINGLE) (LS38 L-ION)
136_	182440081	WIRES KIT (LS38 L-ION)
136_	182580081	WIRES KIT (LS38 ELECTRIC)
137	100764605	HOLDER CONTACT (LS38 L-ION)
138	,025350000	BATTERY, L-ION V.36 DC 6.0 Ah (LS38 L-ION)
143	,087250009A	SCREW 3.5x22 (SINGLE)
144	182450081	SIDE COVER KIT (1 PC)
149	100621242	MOTOR COVER
150	182460081	EXHAUST MICROFILTER (10 PACK) [LS38]
151	100661304	EXHAUST GRILL
152	,010920009	SPRING, BAG HOLDER BUTTON SPRING + FOOT PEDAL SPRING (SINGLE)
153	100493801	SWITCH, FOOT PEDAL
154	182470081	FULL BAG INDICATOR
160	100830035	LENS COVER
161	,015480017	FELT MOTOR COVER
164	182480081	GRILL, MOTOR PROTECT FILTER
166	182490081	FILTER, MOTOR PROTECT (10 PACK) [LS38]
168	,032430081	LS38 VACUUM BAG (8 BAGS + 2 MICROFILTERS + 1 MOTOR PROTECT FILTER)
171	100770300	BELTS LOWER COVER
172	100573812	RIGHT BUMPER
173	100583812	LEFT BUMPER
176_	182501681	BASE HOUSING COVER (LS38 L-ION)
176_	182511681	BASE HOUSING COVER (LS38 ELECTRIC)
178	182523881	LEFT HOOK KIT (3 PCS)
179	182533881	RIGHT HOOK KIT (3 PCS)
180	100563812	FRONT BUMPER
186	100711305	SAFETY BAG LATCH
187	,010920009	SPRING, BAG HOLDER BUTTON SPRING + FOOT PEDAL SPRING (SINGLE)
188	100451233	DCS (DEEP CLEANING SYSTEM) CONVERTER

**ENCAPSULATION IS LOW MOISTURE CARPET CLEANING METHOD / USE VACUUM WITH DCS CONVERTER [#188]**

CHE-7000	PURE POWER / OXY-GEN - 12 QUARTS (ENCAPSULATION CARPET CLEANER)
MIS-7200	2 LITER – ALL ANGLE SPRAYER BOTTLE (DILUTE / APPLY CLEANERS)