

HF 6 PRO
eco FORCE



VIA BELGIO, 22 Z.I. - 35127 PADOVA - ITALY

Ph. +39 049 8700307 - Fax +39 049 8700605

e-mail: vacuum@lindhaus.it - www.lindhaus.it

Cod.Fiscale - P.IVA - Reg.Imp.PD 02151740285

Capitale Sociale 46.800,00 i.v.

LINDHAUS U.S.A.

P.O. BOX 159 / 12941 EAGLE CREEK PARKWAY
SAVAGE, MN 55378

www.lindhaususa.com

www.lindhaus.net

info@lindhaus.com

1-800-498-7526 / 952-707-1131

FAX: 952-707-1134

PARTS LIST

EFFECTIVE FROM DATE PAGE
01/03/2015 **01/03/2015** **1/2**

HF6 ECO FORCE - BODY (WHITE)

MODEL: 061107 (HF6)

Pos	Part Number	Description
1_	051170080	VACUUM MOTOR R139APS V.120/60 W.1200
1A_	023820000	CARBON BRUSH X96 FOR R139 V.100/120 (SET OF TWO)
1B_	,022200000	THERMAL PROTECTOR
2	008830307	GASKET SUCTION GROUP
3	013800029	MOTOR CLAMP
4	003280325	MOTOR SUPPORT
5	011730315	GASKET HF6/WF6
6	012240016	FILTER
7	004020101	FILTER HOUSING
8	003273601	BAG HOUSING WHITE
9	083570181	KIT SIDE HOOK (1 PC)
10	030690000	WHEEL (SET OF 4)
11	003650100	GASKET HF6/WF6
12	003660105	CLUTCH RING
13	011810307	O-RING 31x43
14	003810105	PIN
15	011750009	SPRING HF6/WF6
16	084820105	COLLAR COVER
17	003470101	CLUTCH HF6/WF6
18	003670105	COLLAR BLOCKING BRIDGE HF6/WF6
19	083590080	LOWER CONNECTIONS KIT (2 PCS)
20	021680400	TERMINAL BLOCK 16A 2 POSITION
21	021950320	CORD 2x17 10.7 MT. USA PLUG BLACK (2 PRONG / 35FT)
22	003590104	WAND CLIP HF6/WF6
23	011890009	CLIP PIN HF6/WF6
24	003360100	EXHAUST GRILL
25_	085350081	EXHAUST MICROFILTER (12 PACK) [HF6/VAL/HCP/RX/CHP/ACT/DYN/DIA/LB4]
25_	030640000	HEPA FILTER
25_	,030650000	CARBON ACTIVE EXHAUST FILTER
26_	181703601	COVER WHITE [COMPLETE]
26A_	183433601	GRILL, COVER (SET OF 2)
27	010260307	O-RING
28	011910307	O-RING
29	003570000	LOWER HANDLE HF6/WF6
30	003560101	HANDLE DARK GREY
32	083600080	UPPER CONNECTION KIT WITH GASKET (3 PCS)
33	003600000	STRAIN RELIEF
34	021790320	VACUUM MOTOR CORD
35	003430133	INNER HOUSING DARK GREY

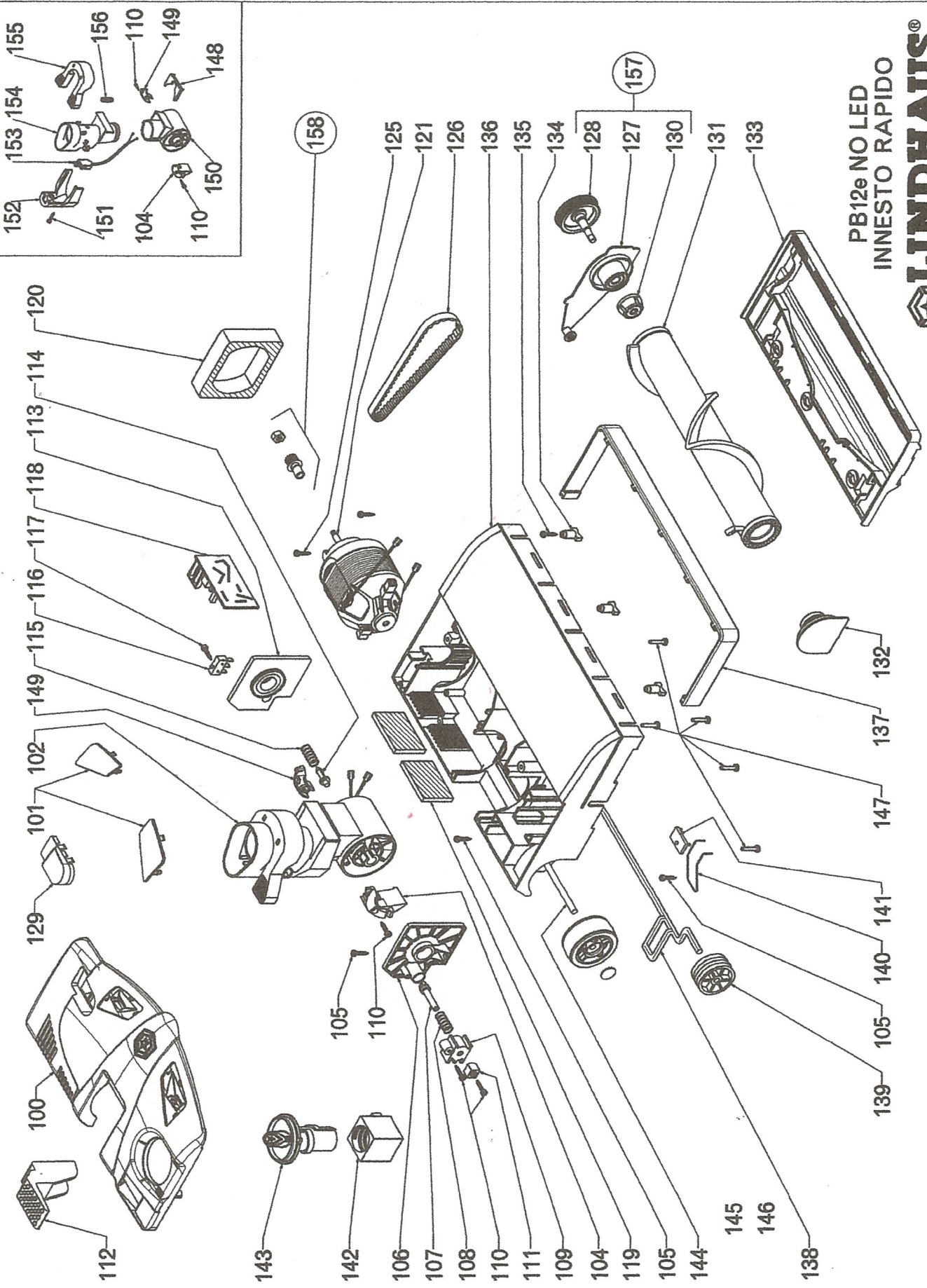
39	021840000	VACUUM SENSOR
40	000070305	CORD CLAMP
41	083560281	CONVEYOR
42	023870300	MAIN SWITCH
43	023880000	INDICATOR LIGHT
44	030820300	UPHOLSTERY TOOL [COMPLETE]
45	030660100	RADIATOR BRUSH
46	031740310	ROUND DUSTING BRUSH WITH NATURAL BRISTLES
47	030060310	CREVICE TOOL (D.38mm 1-1/2")
48	001680304	CORD CLIP V.230/240
51	003700100	RING HF6/WF6
	183390081	FLEX HOSE L.2.3 MT+ HANDLE WITH AIR REGULATION (STRAIGHT SUCTION)
	,031690000	TELESCOPIC WAND (STRAIGHT SUCTION)
	_030670019	HF6 BAGS (6 BAGS + 2 MICROFILTERS)
	_086503681	HARD FLOOR TOOL M28F WHITE (D.32mm 1-1/4") [COMPLETE]
	_086493681	FELT FLOOR TOOL M28F WHITE (D.32mm 1-1/4") [COMPLETE]
	_083540100	BLOWER PORT [ACCESSORY TO CONVERT INTO BLOWER]

ELECTRIC POWER BRUSH HEAD / ATTACHMENTS FOR POWER TEAM

PB	190813680	PB12"QR / POWER BRUSH REPLACEMENT ECO FORCE [COMPLETE]
PB	190823680	PB14"QR / POWER BRUSH REPLACEMENT ECO FORCE [COMPLETE]
	_181870081	ELECTRIFIED HOSE + WAND KIT (QUICK RELEASE POWER TEAM) (2 PCS)
	_180380381	ELECTRIFIED HOSE (QUICK RELEASE POWER TEAM)
	_031680000	ELECTRIFIED TELESCOPIC WAND (QUICK RELEASE POWER TEAM)
	_023850300	INTERNAL CORD, ELECTRIFIED TELESCOPIC WAND [PART OF ABOVE WAND]
	_003243001	DCS (DEEP CLEANING SYSTEM) CONVERTER

ENCAPSULATION IS LOW MOISTURE CARPET CLEANING METHOD / USE VACUUM WITH DCS CONVERTER

	CHE-7000	PURE POWER / OXY-GEN - 12 QUARTS (ENCAPSULATION CARPET CLEANER)
	MIS-7200	2 LITER – ALL ANGLE SPRAYER BOTTLE (DILUTE / APPLY CLEANERS)





VIA BELGIO, 22 Z.I. - 35127 PADOVA - ITALY

Ph. +39 049 8700307 - Fax +39 049 8700605

e-mail: vacuum@lindhaus.it - www.lindhaus.it

Cod.Fiscale - P.IVA - Reg.Imp.PD 02151740285

Capitale Sociale 46.800,00 i.v.

LINDHAUS U.S.A.

P.O. BOX 159 / 12941 EAGLE CREEK PARKWAY
SAVAGE, MN 55378

www.lindhaususa.com

www.lindhaus.net

info@lindhaus.com

1-800-498-7526 / 952-707-1131

FAX: 952-707-1134

PARTS LIST

EFFECTIVE FROM DATE PAGE
01/10/2018 **01/10/2018** **1/2**

PB12"QR / PB14"QR ECO FORCE - QUICK RELEASE POWER BRUSH

MODEL: PB12e (PART #190813680) / PB14e (PART #190823680)

Pos	Part Number	Description
100_	181163681	BASE HOUSING COVER WHITE
100A_	,085150081	THROAT COVER WITH SPRING, FELT STRIP
100B_	,011000017	THROAT COVER FELT STRIP [ONLY]
101	181170181	LENS SET LED DARK GREY
102	,087770380	JOINT COMPLETE QUICK RELEASE (D.32mm 1-1/4")
104	,005920305	JOINT PIN SLIDE QUICK RELEASE
105	085590009A	SCREW 3.9x13 (SINGLE)
106	080430381	SUPPORT RIGHT JOINT
107	000840036	PLUNGER
108	010390009	SPRING, DÉTENTE
109	000650036	BUSHING
110	085610009A	SCREW 2.9x16 (SINGLE)
111	000970305	SLIDE
112	001920105	FOOT PEDAL DARK GRAY
113	080440381	SUPPORT LEFT JOINT
114	000670036	SWITCH ACTIVATOR PIN
115	010480009	SPRING SWITCH ACTIVATOR PIN
116	020640000	MICROSWITCH
117	086950009A	SCREW 2.2x16 (SINGLE)
118_	,020610000	CIRCUIT BOARD M30 (12")
118_	020370000	CIRCUIT BOARD M38 (14") 100/120V W.170
119	010720316	EXHAUST FILTER
120	010580016	FILTER BRUSH MOTOR
121_	050030080	BRUSH MOTOR 100/120V (12"-14")
121A_	021260000	CARBON BRUSH FOR BRUSH MOTOR R73 (SET OF TWO)
121B_	,015210009	NUT M5, BRUSH MOTOR
125	085560009A	SCREW 3.9x16 (SINGLE)
126	010790300	TIMING BELT 7mm
127	181570029	TRANSMISSION SUPPORT WITH BEARINGS
128	060290081	PULLEY WITH SHAFT
129	009044146	SIDE LIGHT COVER
130	088620081	DRIVE JOINT BASE
131_	,009590301	BRUSH ROLLER M30 (12") 1 BRISTLE 0,25 BLACK + INSERT [STANDARD]
131_	009610301	BRUSH ROLLER M30 (12") 2 BRISTLE 0,25 BLACK + INSERT
131_	100110101	BRUSH ROLLER M30 (12") 1 BRISTLE WHITE (SOFT BRISTLE) + INSERT
131_	,009600301	BRUSH ROLLER M30 (12") 1 BRISTLE RED (STIFF BRISTLE) + INSERT
131_	009630301	BRUSH ROLLER M38 (14") 1 BRISTLE 0,25 BLACK + INSERT [STANDARD]
131_	,009620301	BRUSH ROLLER M38 (14") 1 BRISTLE WHITE (SOFT BRISTLE) + INSERT
131_	,009640301	BRUSH ROLLER M38 (14") 1 BRISTLE RED (STIFF BRISTLE) + INSERT

131A_	,100370004	INSERT, WHITE (MODIFY BRUSH ROLL TO ECO FORCE)
132_	181670029	ROLLER SUPPORT M30 (12")
132_	181580029	ROLLER SUPPORT M38 (14")
133_	005860333	BRUSH SHOE PLATE M30 (12")
133_	005870333	BRUSH SHOE PLATE M38 (14")
134	087491381A	ROLLER COVER CLIP (SINGLE)
135	085540009A	SCREW 3.5x9.5 TG (SINGLE)
136_	087563681	BASE HOUSING M30 (12") MARBLE WHITE WITH CLIPS
136_	181663681	BASE HOSUING M38 (14") MARBLE WHITE WITH CLIPS
137_	000600112	BUMPER M30 (12") DARK GRAY
137_	000590112	BUMPER M38 (14") DARK GRAY
138	011320029	FRONT AXLE
139	002260000	FRONT WHEEL RUBBER
140	010430009	SPRING (AXLE)
141	000680036	SPRING STOP PLATE
142	000990305	BRUSH HEIGHT ADJUSTER
143	003750104	ADJUSTING KNOB DARK GREY
144	011380009	REAR AXLE
145	002270000	REAR BIG WHEEL RUBBER
146	012840009	WHEEL RETAINER CAP
147	086440009A	SCREW 3.5x19 (SINGLE)
148	,007160305	JOINT COVER QUICK RELEASE
149	,005930305	BLOCKING JOINT QUICK RELEASE
150	,005890305	LOWER JOINT QUICK RELEASE
151	088020009A	SCREW 3.5x13 (SINGLE)
152	,007170305	COVER CABLE JOINT QUICK RELEASE
153	,023320320	CORD, POWER 11.22" QUICK RELEASE
154	,007150305	UPPER JOINT QUICK RELEASE
155	,007180133	FOOT PEDAL JOINT QUICK RELEASE
156	,011070009	SPRING, FOOT PEDAL QUICK RELEASE
157	181590029	TRANSMISSION SUPPORT [COMPLETE]
158	182730081	PINION+NUT COMPLETE
	_003243001	DCS (DEEP CLEANING SYSTEM) CONVERTER
	_031860000	TELESCOPIC ELECTRIC WAND QUICK RELEASE, CENTRAL VACUUM (D.32mm 1-1/4")
MISC-CORD, CVQR NEW		INTERNAL CORD, ELECTRIFIED TELESCOPIC WAND [PART OF ABOVE WAND]

ENCAPSULATION IS LOW MOISTURE CARPET CLEANING METHOD / USE POWER BRUSH WITH DCS CONVERTER

CHE-7000	PURE POWER / OXY-GEN - 12 QUARTS (ENCAPSULATION CARPET CLEANER)
MIS-7200	2 LITER – ALL ANGLE SPRAYER BOTTLE (DILUTE / APPLY CLEANERS)