

HF6 BODY



VIA BELGIO, 22 Z.I. - 35127 PADOVA - ITALY

Ph. +39 049 8700307 - Fax +39 049 8700605

e-mail: vacuum@lindhaus.it - www.lindhaus.it

Cod.Fiscale - P.IVA - Reg.Imp.PD 02151740285

Capitale Sociale 46.800,00 i.v.

LINDHAUS U.S.A.

P.O. BOX 159 / 12941 EAGLE CREEK PARKWAY
SAVAGE, MN 55378

www.lindhaususa.com

www.lindhaus.net

info@lindhaus.com

1-800-498-7526 / 952-707-1131

FAX: 952-707-1134

PARTS LIST

EFFECTIVE FROM DATE PAGE
1/2

HF6 - BODY

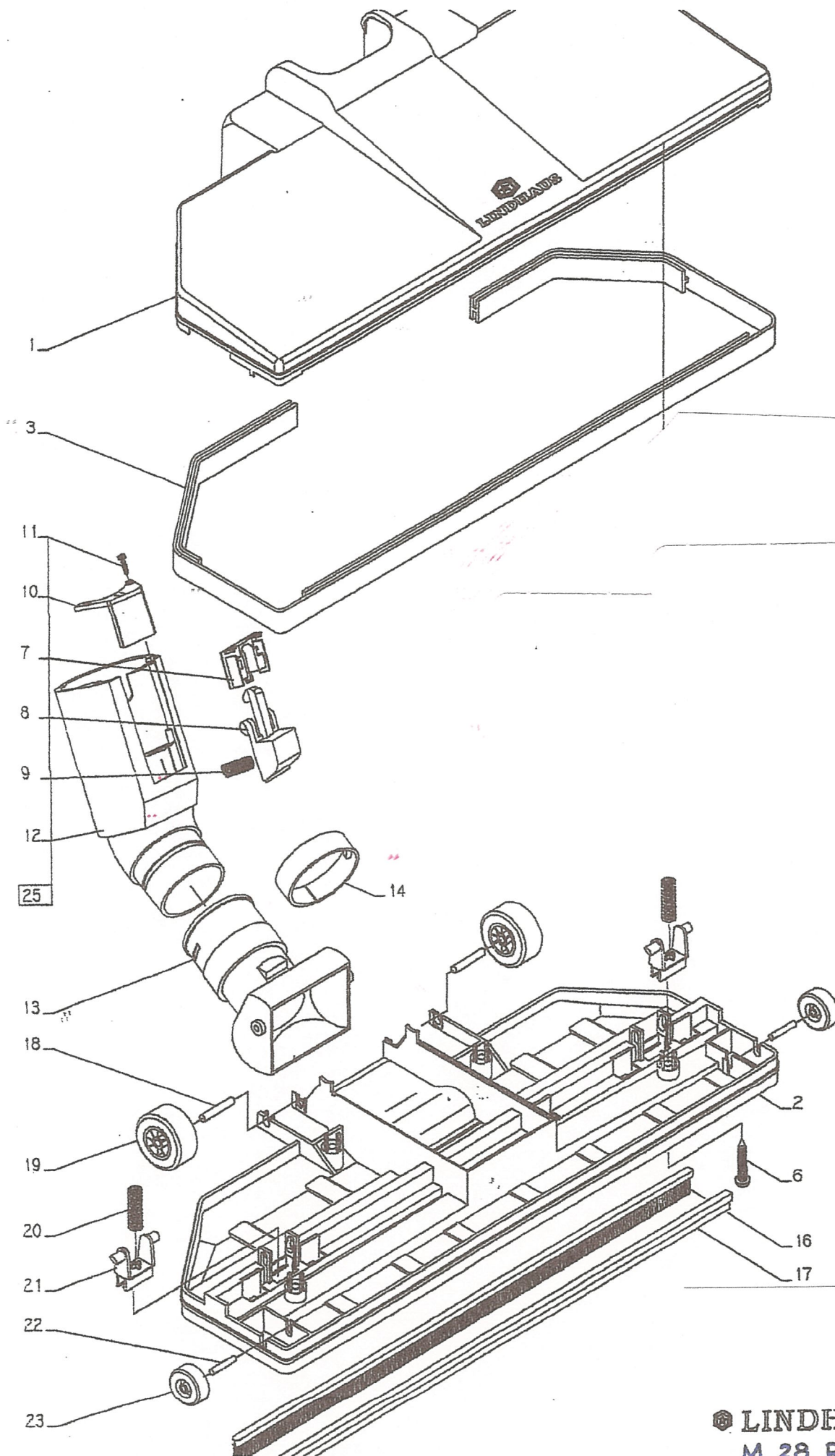
MODEL: 061110 (HF6 GREY) / 61110 (HF6 RED) / 61110 (HF6 BLUE)

Pos	Part Number	Description
1_	,050480080	VACUUM MOTOR V.120/60 W.750
1A_	,011780315	GASKET (TOP OF MOTOR)
1B_	022300000	CARBON BRUSH FOR MOTOR (SET OF TWO)
1C_	,022200000	THERMAL PROTECTOR
2	,011900307	VACUUM MOTOR GASKET
3	,003520325	MOTOR CLAMP
4	003280325	MOTOR SUPPORT
5	011730315	GASKET
6	012240016	FILTER
7	004020101	FILTER HOUSING
8_	,003270201	BAG HOUSING GREY
8_	,003272501	BAG HOUSING RED
9	083570181	SIDE LATCH
10	030690000	WHEEL (SET OF 4)
11	003650100	GASKET BUMPER
12	003660105	CLUTCH RING
13	011810307	O-RING
14	003810105	PIN
15	011750009	SPRING
16	084820105	COLLAR COVER
17	003470101	CLUTCH
18	003670105	COLLAR BLOCKING BRIDGE
19	083590080	LOWER CONNECTION KIT (2 PCS)
20	021680400	TERMINAL BLOCK 16A 2 POSITION
21	021950320	CORD 2x17 10.7 MT. USA PLUG BLACK (2 PRONG / 35FT)
22	003590104	WAND CLIP
23	011890009	CLIP PIN
24	003360100	EXHAUST GRILL
25_	085350081	EXHAUST MICROFILTER (12 PACK) [HF6/VAL/HCP/RX/CHP/ACT/DYN/DIA/LB4]
25_	030640000	HEPA FILTER
25_	,030650000	CARBON ACTIVE EXHAUST FILTER
26_	,003580201	COVER GRILL GREY
26_	,003582601	COVER GRILL BLUE
27	010260307	O-RING
28	011910307	O-RING
29	003570000	LOWER HANDLE
30_	,003560201	HANDLE GREY
30_	,003562601	HANDLE BLUE
31	,011690016	GASKET FILTER

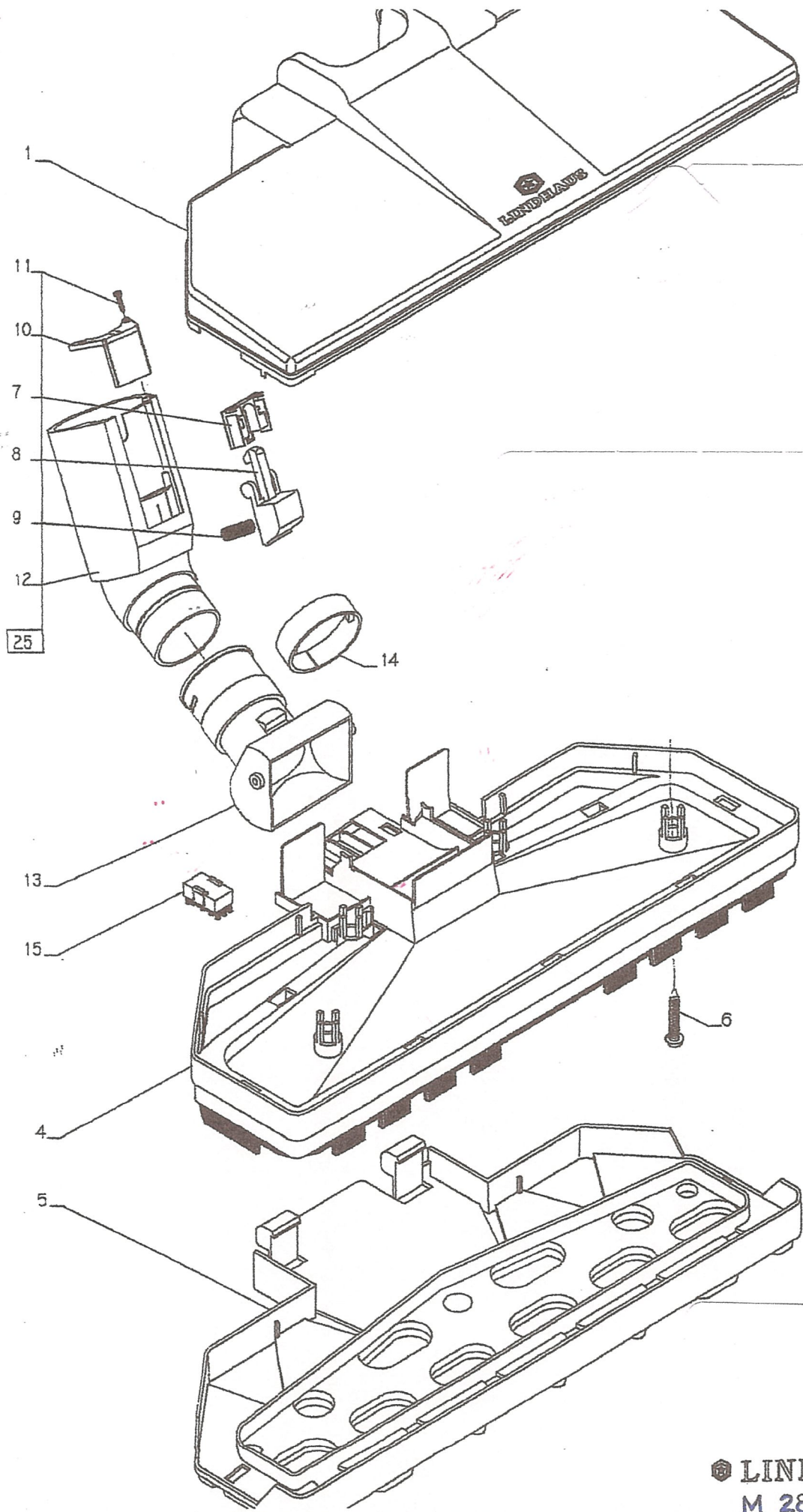
32	,083600080	UPPER CONECTION KIT WITH GASKET (3 PCS)
33	003600000	STRAIN RELIEF
34	021790320	VACUUM MOTOR CORD
35	,003430233	INNER HOUSING LIGHT GREY
36	,021660000	CIRCUIT BOARD
37	,083610300	AERATOR
38	,003490101	ADJUSTING KNOB
39	021840000	VACUUM SENSOR
40	000070305	CORD CLAMP
41	083560281	CONVEYOR
42	180040081	MAIN SWITCH
43_	,003540201	COVER GREY
43_	,003542501	COVER RED
44	030820300	UPHOLSTERY TOOL WITH CENTER STRIP [COMPLETE]
45	030660100	RADIATOR BRUSH, SMALL
46	031740310	DUST BRUSH WITH SWIVEL, NATURAL BRISTLE
47_	,003420304	TELESCOPIC CREVICE TOOL
47_	030060310	CREVICE TOOL
49	,083580080	WIRE KIT
51	003700100	RING HF6/WF6
	,084450081	HOSE, NON-ELECTRIC, CRUSHPROOF
	,011850013	TUBE WITH AIR CONTROL
	,001090304	CORD CLIP (CORD TO WAND)
	,030670019	HF6 BAGS (6 BAGS + 2 MICROFILTERS)
	,083540100	BLOWER PORT [ACCESSORY TO CONVERT INTO BLOWER]
	_086503681	HARD FLOOR TOOL M28F WHITE (D.32mm 1-1/4") [COMPLETE]
	_086493681	FELT FLOOR TOOL M28F WHITE (D.32mm 1-1/4") [COMPLETE]
	_183390081	FLEX HOSE L.2.3 MT+ HANDLE WITH AIR REGULATION (STRAIGHT SUCTION)
	_084450081	FLEX HOSE (STRAIGHT SUCTION) [OLD STYLE]
	_031690000	TELESCOPIC WAND (STRAIGHT SUCTION)

ELECTRIC POWER BRUSH HEAD / ATTACHMENTS FOR POWER TEAM

PB	190813680	PB12"QR / POWER BRUSH REPLACEMENT ECO FORCE [COMPLETE]
PB	190823680	PB14"QR / POWER BRUSH REPLACEMENT ECO FORCE [COMPLETE]
	_181870081	ELECTRIFIED HOSE + WAND KIT (QUICK RELEASE POWER TEAM) (2 PCS)
	_180380381	ELECTRIFIED HOSE (QUICK RELEASE POWER TEAM)
	_031680000	ELECTRIFIED TELESCOPIC WAND (QUICK RELEASE POWER TEAM)
	_023850300	INTERNAL CORD, ELECTRIFIED TELESCOPIC WAND [PART OF ABOVE WAND]




LINDHAUS
 M 28 R





VIA BELGIO, 22 Z.I. - 35127 PADOVA - ITALY

Ph. +39 049 8700307 - Fax +39 049 8700605
 e-mail: vacuum@lindhaus.it - www.lindhaus.it

Cod.Fiscale - P.IVA - Reg.Imp.PD 02151740285
 Capitale Sociale 46.800,00 i.v.

LINDHAUS U.S.A.

P.O. BOX 159 / 12941 EAGLE CREEK PARKWAY
 SAVAGE, MN 55378

www.lindhaususa.com

www.lindhaus.net

info@lindhaus.com

1-800-498-7526 / 952-707-1131

FAX: 952-707-1134

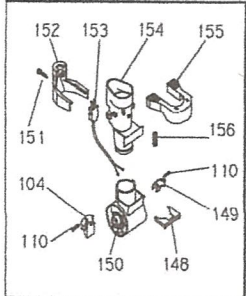
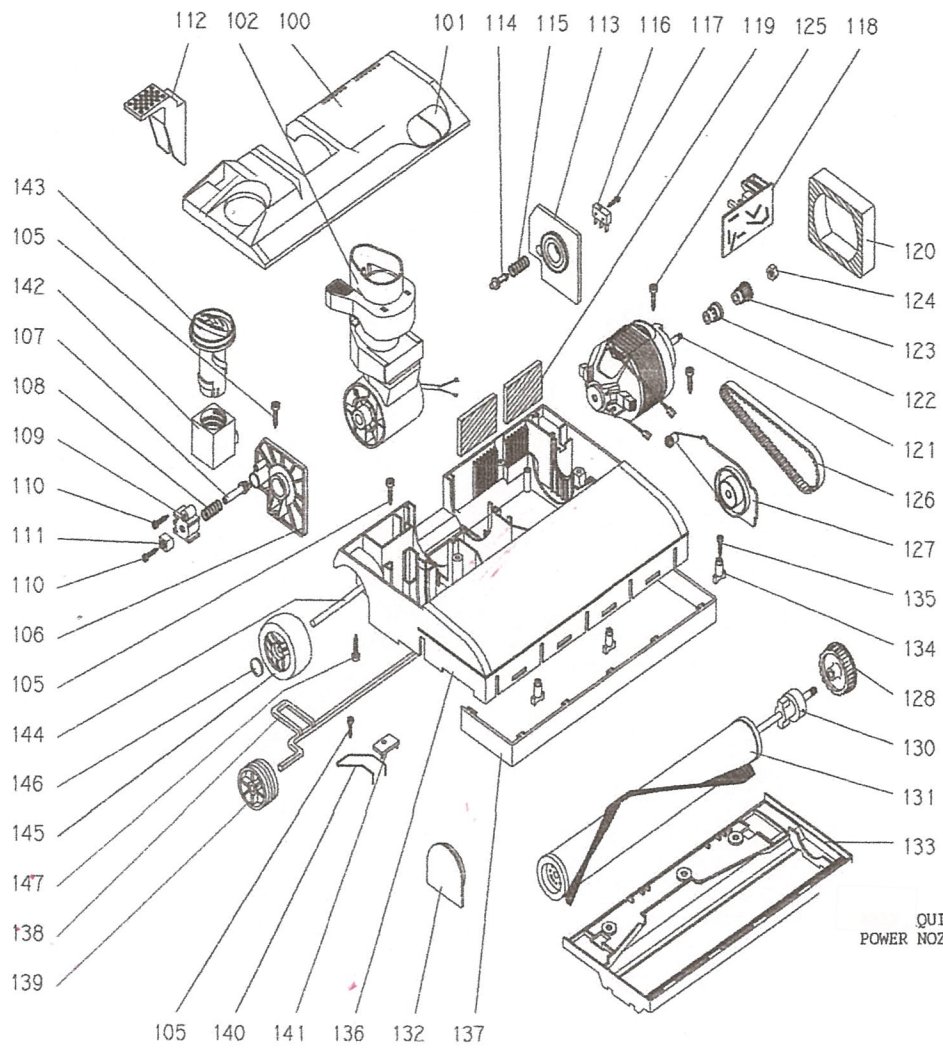
PARTS LIST

EFFECTIVE FROM DATE PAGE
01/01/1999 **01/01/1999** **1 OF 1**

HF6 - HARD FLOOR TOOL / FELT FLOOR TOOL

MODEL: 061107 (HF6)

Pos	Part Number	Description
1_	,003000201	COVER M28 LIGHT GREY
1_	,003002501	COVER M28 SILVER RED
1_	,003002601	COVER M28 SILVER BLUE
2	,002960304	BASE M28R
3	,003060107	BUMPER, RUBBER
4	,082800181	BASE, M28F WITH BRISTLES (FELT FLOOR TOOL)
5	,082660081	FELT PAD, REPLACEMENT M28F (FELT FLOOR TOOL)
6	,010510009	SCREW 3.9x22 (SINGLE)
7	,000320306	CONTACTS GUIDE
8	,000350306	HOOK
9	,010730009	SPRING M28
10	,000330306	BLOCKING GUIDE BRACKET
11	,010460009	SCREW 2.9x19 (SINGLE)
12	,082810381	CONNECTOR + CURVE M28
13	,003030300	JOINT M28
14	,002990336	CLIP M28
15	,060030381	REAR BRUSH, M28F (FELT FLOOR TOOL)
16	,030500000	BASE BRISTLES M28R
17	,003040307	SQUEEGEE M28R
18	,011570009	PIN, BIG WHEEL M28R
19	,002980300	WHEEL, BIG M28R
20	,011580009	SPRING, STRIP M28R
21	,003050304	SUPPORT, STRIP M28R
22	,011670009	PIN, SMALL WHEEL M28R
23	,002970300	WHEEL, SMALL M28R
25	,082770381	JOINT COMPLETE M28 (D.32mm 1-1/4")
	_086503681	HARD FLOOR TOOL M28F WHITE (D.32mm 1-1/4") [COMPLETE]
	_086493681	FELT FLOOR TOOL M28F WHITE (D.32mm 1-1/4") [COMPLETE]



QUICK RELEASE
POWER NOZZLE 12" _14"



VIA BELGIO, 22 Z.I. - 35127 PADOVA - ITALY

Ph. +39 049 8700307 - Fax +39 049 8700605

e-mail: vacuum@lindhaus.it - www.lindhaus.it

Cod.Fiscale - P.IVA - Reg.Imp.PD 02151740285

Capitale Sociale 46.800,00 i.v.

PARTS LIST

EFFECTIVE FROM

DATE

PAGE

1/2

LINDHAUS U.S.A.

P.O. BOX 159 / 12941 EAGLE CREEK PARKWAY
SAVAGE, MN 55378

www.lindhaususa.com

www.lindhaus.net

info@lindhaus.com

1-800-498-7526 / 952-707-1131

FAX: 952-707-1134

HF6 - PB12"QR / PB14"QR- QUICK RELEASE POWER BRUSH

MODEL: 061110 (HF6 GREY) / 61110 (HF6 RED) / 61110 (HF6 BLUE)

Pos	Part Number	Description
100_	,083963681	BASE HOUSING COVER WHITE
100A_	,085150081	THROAT COVER WITH SPRING, FELT STRIP
100B_	,011000017	THROAT COVER FELT STRIP [ONLY]
101	,083950081	LENS SET RED AND GREEN
102	,087770380	JOINT COMPLETE QUICK RELEASE (D.32mm 1-1/4")
104	,005920305	JOINT PIN SLIDE QUICK RELEASE
105	085590009A	SCREW 3.9x13 (SINGLE)
106	080430381	SUPPORT RIGHT JOINT
107	000840036	PLUNGER
108	010390009	SPRING, DÉTENTE
109	000650036	BUSHING
110	085610009A	SCREW 2.9x16 (SINGLE)
111	000970305	SLIDE
112	001920105	FOOT PEDAL DARK GRAY
113	080440381	SUPPORT LEFT JOINT
114	000670036	SWITCH ACTIVATOR PIN
115	010480009	SPRING SWITCH ACTIVATOR PIN
116	020640000	MICROSWITCH
117	086950009A	SCREW 2.2x16 (SINGLE)
118_	,020610000	CIRCUIT BOARD M30 (12") V.120 W.180
118_	020370000	CIRCUIT BOARD M38 (14") 100/120V W.170
120	010580016	FILTER, BRUSH MOTOR
121_	050030080	BRUSH MOTOR 100/120V (12"-14")
121A_	021260000	CARBON BRUSH FOR BRUSH MOTOR R73 (SET OF TWO)
121B_	,015210009	NUT M5, BRUSH MOTOR
122	,002890029	METAL SPACER
123	,002880029	METAL PULLEY
124	,010490009	NUT, PINION
125	085560009A	SCREW 3.9x16 (SINGLE)
126	010790300	TIMING BELT 7mm
127	,080360011	TRANSMISSION LEFT SUPPORT WITH BEARINGS
128	,086160381	BRUSH PULLEY WITH METAL INSERT
130_	,080880081	BRUSH SHAFT M30 (12")
130_	,080890081	BRUSH SHAFT M38 (14")
131_	,081710301	BRUSH ROLLER M30 (12") 1 BRISTLE [STANDARD]

131_	,081730301	BRUSH ROLLER M30 (12") 2 BRISTLE
131_	,080620301	BRUSH ROLLER M38 (14") 1 BRISTLE [STANDARD]
132	,080370011	RIGHT BRUSH SUPPORT WITH BEARINGS
133_	005860333	BRUSH SHOE PLATE M30 (12")
133_	005870333	BRUSH SHOE PLATE M38 (14")
134	087491381A	ROLLER COVER CLIP (SINGLE)
135	085540009A	SCREW 3.5x9.5 TG (SINGLE)
136_	,087560281	BASE HOUSING M30 (12") LIGHT GREY WITH CLIPS
136_	181664681	BASE HOUSING M38 (14") LIGHT GREY WITH CLIPS
137_	,000600212	BUMPER M30 (12") LIGHT GREY
137_	000590112	BUMPER M38 (14") DARK GRAY
138	011320029	FRONT AXLE
139	002260000	FRONT WHEEL RUBBER
140	010430009	SPRING
141	000680036	SPRING STOP PLATE
142	000990305	BRUSH HEIGHT ADJUSTER
143	003750104	ADJUSTING KNOB DARK GREY
144	011380009	REAR AXLE
145	002270000	REAR BIG WHEEL RUBBER
146	012840009	WHEEL RETAINER CAP
147	086440009A	SCREW 3.5x19 (SINGLE)
148	,007160305	JOINT COVER QUICK RELEASE
149	,005930305	BLOCKING JOINT QUICK RELEASE
150	,005890305	LOWER JOINT QUICK RELEASE
151	088020009A	SCREW 3.5x13 (SINGLE)
152	,007170305	COVER CABLE JOINT QUICK RELEASE
153	,023320320	CORD, POWER 11.22" QUICK RELEASE
154	,007150305	UPPER JOINT QUICK RELEASE
155	,007180133	FOOT PEDAL JOINT QUICK RELEASE
156	,011070009	SPRING, FOOT PEDAL QUICK RELEASE
	,003243001	DCS (DEEP CLEANING SYSTEM) CONVERTER
	,031910300	WAND LOCKING MECHANISM
	180280381	ELECTRIFIED HOSE COMPLETE (POWER BRUSH)
	,031680000	ELECTRIFIED TELESCOPIC WAND (QUICK RELEASE POWER TEAM)
	,023850300	INTERNAL CORD, ELECTRIFIED TELESCOPIC WAND [PART OF ABOVE WAND]
PB	190813680	PB12"QR / POWER BRUSH REPLACEMENT ECO FORCE [COMPLETE]

ENCAPSULATION IS LOW MOISTURE CARPET CLEANING METHOD / USE VACUUM WITH DCS CONVERTER

CHE-7000	PURE POWER / OXY-GEN - 12 QUARTS (ENCAPSULATION CARPET CLEANER)
MIS-7200	2 LITER – ALL ANGLE SPRAYER BOTTLE (DILUTE / APPLY CLEANERS)