

HCP HEPA BODY



VIA BELGIO, 22 Z.I. - 35127 PADOVA - ITALY

Ph. +39 049 8700307 - Fax +39 049 8700605

e-mail: vacuum@lindhaus.it - www.lindhaus.it

Cod.Fiscale - P.IVA - Reg.Imp.PD 02151740285

Capitale Sociale 46.800,00 i.v.

**LINDHAUS U.S.A.**

P.O. BOX 159 / 12941 EAGLE CREEK PARKWAY  
SAVAGE, MN 55378

[www.lindhaususa.com](http://www.lindhaususa.com)

[www.lindhaus.net](http://www.lindhaus.net)

[info@lindhaus.com](mailto:info@lindhaus.com)

1-800-498-7526 / 952-707-1131

FAX: 952-707-1134

**PARTS LIST**

EFFECTIVE FROM                      DATE                      PAGE  
1/2

**HEALTH CARE PRO - BODY**

**MODEL: 031207 (HCP 12") / 031407 (HCP 14")**

Pos	Part Number	Description
1_	,080170181	BAG HOUSING COVER GREY
1_	080173681	BAG HOUSING COVER WHITE
3	,000160304	FILTER HOLDER
4	082720181	BAG DOOR LATCH+SPRING GREY
5_	,011410316	FILTER, INTERNAL FOAM
5_	,087170081	CARBON ACTIVE FILTERS (5 PACK)
6	084370081	BAG ENTRANCE WITH SAFETY SUPPORT
7	084520081	BUTTON+SUPPORT+SPRING 2 POSITION
8	,030900300	UPHOLSTERY TOOL, NATURAL BRISTLE BRUSH [ONLY]
9	,001830205	ROUND DUSTING BRUSH SUPPORT
10_	,083780181	BAG HOUSING GREY - OLD MOTOR
10_	,086270181	BAG HOUSING GREY - NEW MOTOR
10_	089233681	BAG HOUSING WHITE
11	,080790081	RELIEF VALVE KIT (2 PCS)
12	,011050016	VALVE FILTER
13	010260307	O-RING
14_	,086670381	EXTENSION HOSE WITH HANDLE GRIP (D.38mm 1-1/2") [STANDARD]
14A_	,030550300	TELESCOPIC WAND (D.38mm 1-1/2")
14B_	,087530381	HANDLE GRIP KIT FOR EXTENSION HOSE (D.38mm 1-1/2") (3 PCS)
14C_	,030860300	EXTENSION HOSE 3-1 WITH SLEEVES (CUFF TO CUFF) (D.38mm 1-1/2")
14C1_	,030040310	HOSE SLEEVE (CUFF) FOR EXTENSION HOSE (D.38mm 1-1/2")
15	002730104	WAND / CREVICE TOOL CLIP
16	001950110	UPPER HOSE HOOK FOR FLEXIBLE HOSE
17	,080770181	HANDLE GRIP [ONLY]
18	002870105	RETAINER
19	084590081	CHROMATE TUBE - 2 POSITION WITH BUTTON LOCK
21	,084410181	HANDLE TUBE ASSEMBLY 2 POSITION [COMPLETE]
22	,083452280	ELECTRIC SYSTEM ASSEMBLY HPRO
23	021950320	CORD 2x17 10.7 MT. USA PLUG BLACK (2 PRONG / 35FT)
24	000460307	STRAIN RELIEF
25	000070305	CORD CLAMP
26	,021340000	VACUUM SENSOR
27	084580081	SAFETY SUPPORT KIT (4 PCS)
28	,021050300	MAIN SWITCH 15A 3 WAY
29	,020020000	INDICATOR LIGHT
31	,001880205	LOWER CORD HOOK LIGHT GREY
32_	,086610181	HANDLE COVER GREY
32_	,002033601	HANDLE COVER WHITE
34	,001980306	COMB WIRE HOLDER

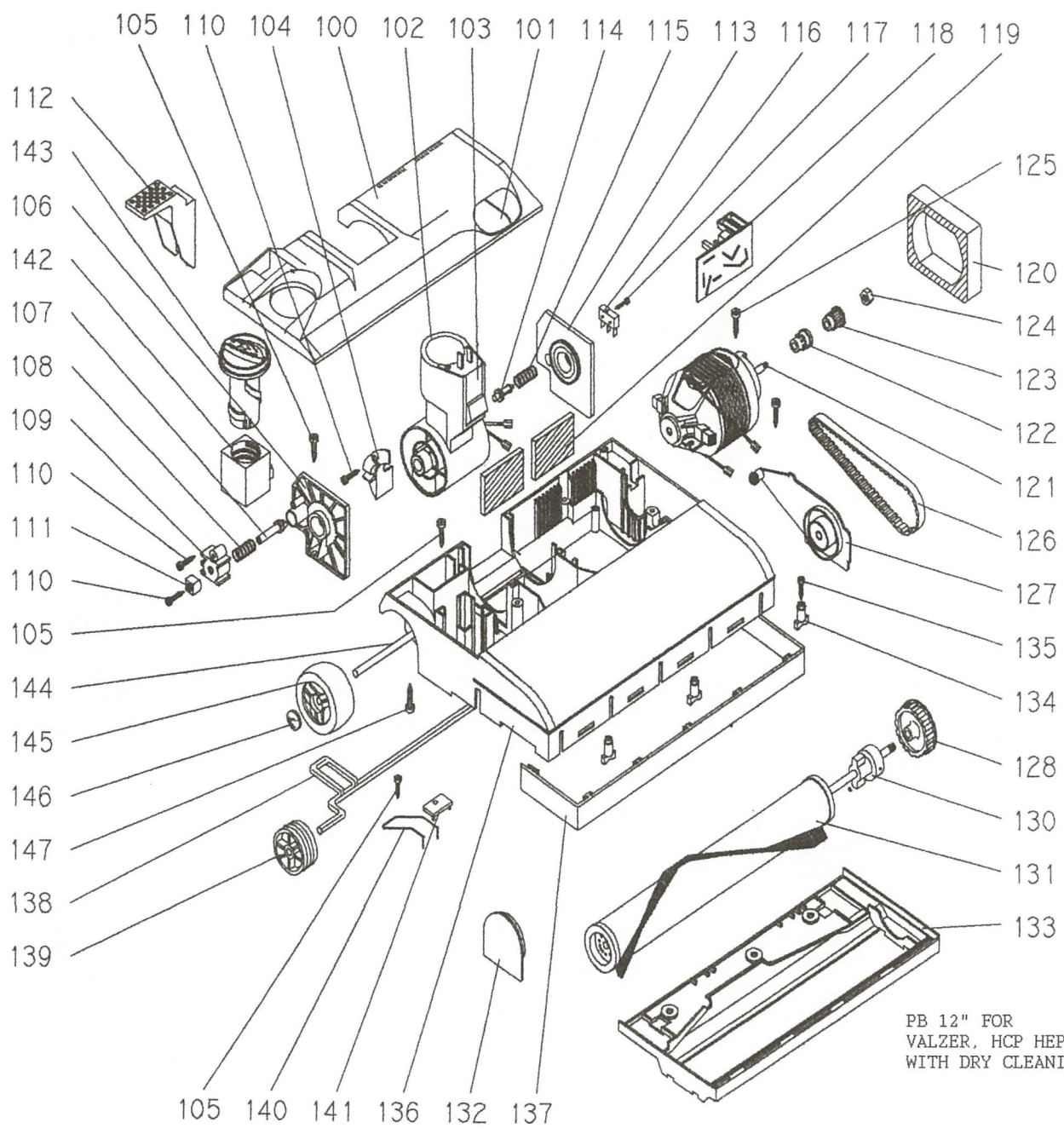
35_	,001900101	FRAME HANDLE GREY
35_	,001903601	FRAME HANDLE WHITE
36	,010210016	FILTER, FOAM UPPER
37	000200308	GASKET
38	,020340400	TERMINAL BLOCK 3 POLES
39	011790016	FOAM MOTOR FILTER
40	,000210308	MOTOR GASKET
41	,084440281	BOTTOM COVER KIT (1 PC)
42	003360100	EXHAUST GRILL
43_	085350081	EXHAUST MICROFILTER (12 PACK) [HF6/VAL/HCP/RX/CHP/ACT/DYN/DIA/LB4]
43_	030640000	HEPA FILTER
43_	,030650000	CARBON ACTIVE EXHAUST FILTER
44_	,083652281	FRONT GRILL GREY
44_	,083636281	FRONT GRILL WHITE
45_	,031110300	UPHOLSTERY TOOL WITH NATURAL BRISTLE [COMPLETE] (D.38mm 1-1/2") [STANDARD]
45_	,030820300	UPHOLSTERY TOOL WITH CENTER STRIP [COMPLETE] (D.38mm 1-1/2")
45_	031740310	ROUND DUSTING BRUSH WITH NATURAL BRISTLES (D.38mm 1-1/2")
46	,030740300	UPHOLSTERY TOOL, BLACK CENTER STRIP BRUSH [ONLY]
47	087250009A	SCREW 3.5x22 (SINGLE)
48	085550009A	SCREW 3.5x25 (SINGLE)
49_	,003300133	MOTOR HOUSING GREY
49_	003303601	MOTOR HOUSING WHITE
50	011810307	O-RING 31x43
51	,083690080	CURVE SUPPORT
52	003410105	UPPER CURVE
53	010270307	O RING
54_	,083680281	INNER VACUUM MOTOR HOUSING GREY
54_	,081202581	INNER VACUUM MOTOR HOUSING RED
55	003330133	HOSE INLET
56	,083480080	MOTOR CLAMP HPRO 3 WIRES
57_	051350080	VACUUM MOTOR R26APSS (HE) V.120/60 W.750
57A_	022290000	CARBON BRUSH R26 (SET OF TWO)
57B_	,022200000	THERMAL PROTECTOR
58	010220016	FILTER, FOAM MOTOR
59	030060310	CREVICE TOOL (D.38mm 1-1/2")
61	,002480003	4 CONTACT HOUSING COVER
62	,002400003	4 CONTACT HOUSING
63	,003230001	VACUUM SENSOR ADAPTOR
64	086440009A	SCREW 3.5x19 (SINGLE)
65	085560009A	SCREW 3.9x16 (SINGLE)
66	,010030009	SCREW 3.5x16
67	,085530009A	SCREW 2.9x19 (SINGLE)
68	,005200201	BUTTON LIGHT GREY
69	012980009	HANDLE SPRING
	,030610019	PH4 BAGS (10 BAGS + 2 MICROFILTERS)
	_080070081	HOSE CRUSHPROOF 5 FT (D.38mm 1-1/2")
	_086700081	HOSE CRUSHPROOF 9 FT (D.38mm 1-1/2")
	_030850310	EXTENSION TUBE (D.38mm 1-1/2")

**HARD FLOOR ATTACHMENTS TO MAKE HEALTH CARE PRO INTO ELECTRIC BROOM**

_088753681	HARD FLOOR TOOL LOCKING / WHEELED [COMPLETE]
_088760081	FELT PAD CLIP ON ATTACHMENT FOR HARD FLOOR TOOL LOCKING

**ATTACHMENTS TO MAKE HEALTH CARE PRO INTO ELECTRIC BACKPACK / BLOWER**

_083540100	BLOWER PORT [ACCESSORY TO CONVERT INTO BLOWER]
_086750000	BACKPACK STRAP / HARNESS
_031400300	BACKPACK ACCESSORY BAG
_031410300	BACKPACK PAD WITH BELT



PB 12" FOR  
VALZER, HCP HEPA,  
WITH DRY CLEANING SYSTEM



VIA BELGIO, 22 Z.I. - 35127 PADOVA - ITALY

Ph. +39 049 8700307 - Fax +39 049 8700605

e-mail: vacuum@lindhaus.it - www.lindhaus.it

Cod.Fiscale - P.IVA - Reg.Imp.PD 02151740285

Capitale Sociale 46.800,00 i.v.

**LINDHAUS U.S.A.**

P.O. BOX 159 / 12941 EAGLE CREEK PARKWAY  
SAVAGE, MN 55378

[www.lindhaususa.com](http://www.lindhaususa.com)

[www.lindhaus.net](http://www.lindhaus.net)

[info@lindhaus.com](mailto:info@lindhaus.com)

1-800-498-7526 / 952-707-1131

FAX: 952-707-1134

**PARTS LIST**

EFFECTIVE FROM

DATE

PAGE

1/2

**HEALTH CARE PRO - POWER BRUSH 12"-14" WITH DEEP CLEANING SYSTEM**

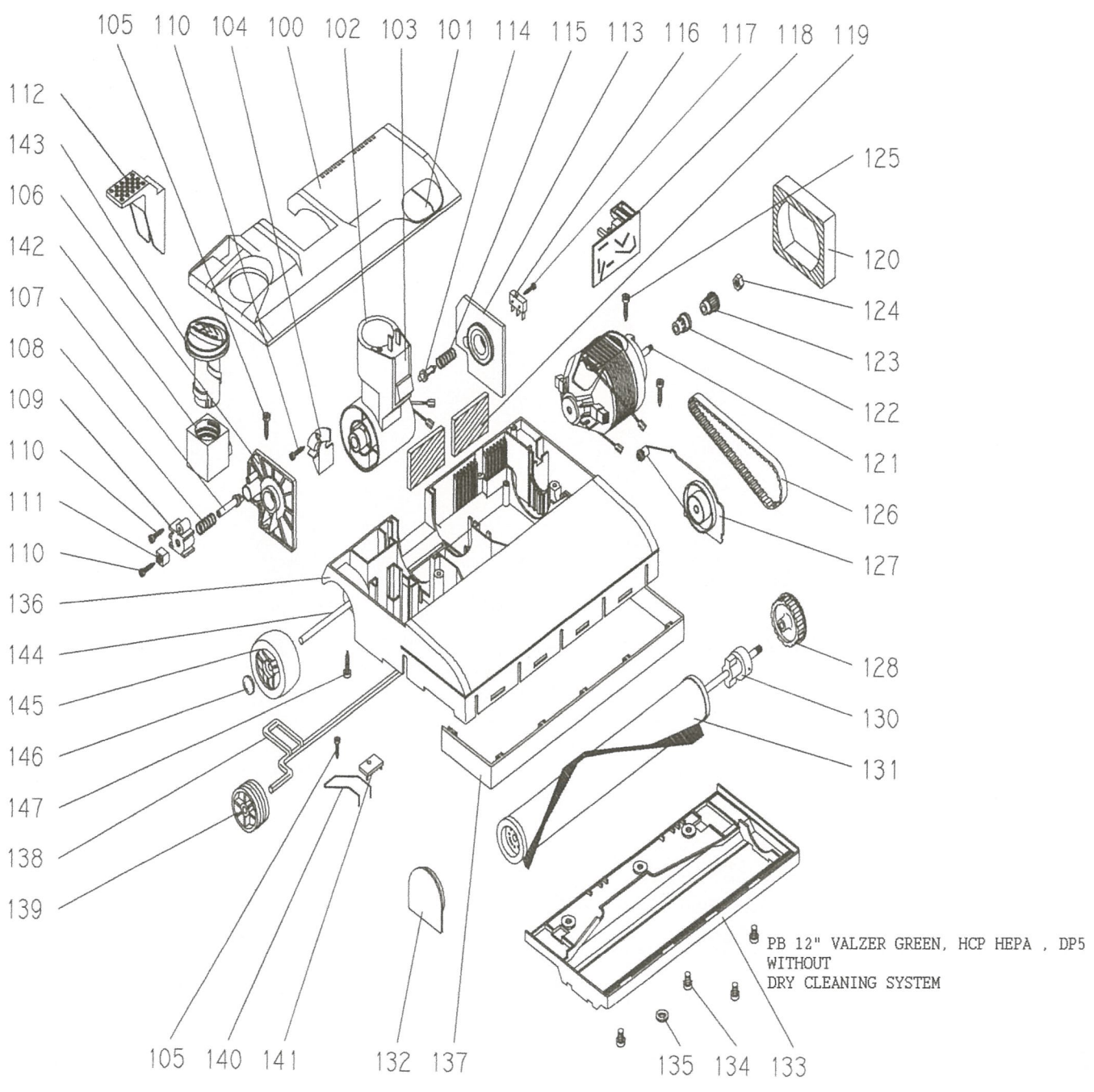
**MODEL: 031207 (HCP 12") / 031407 (HCP 14")**

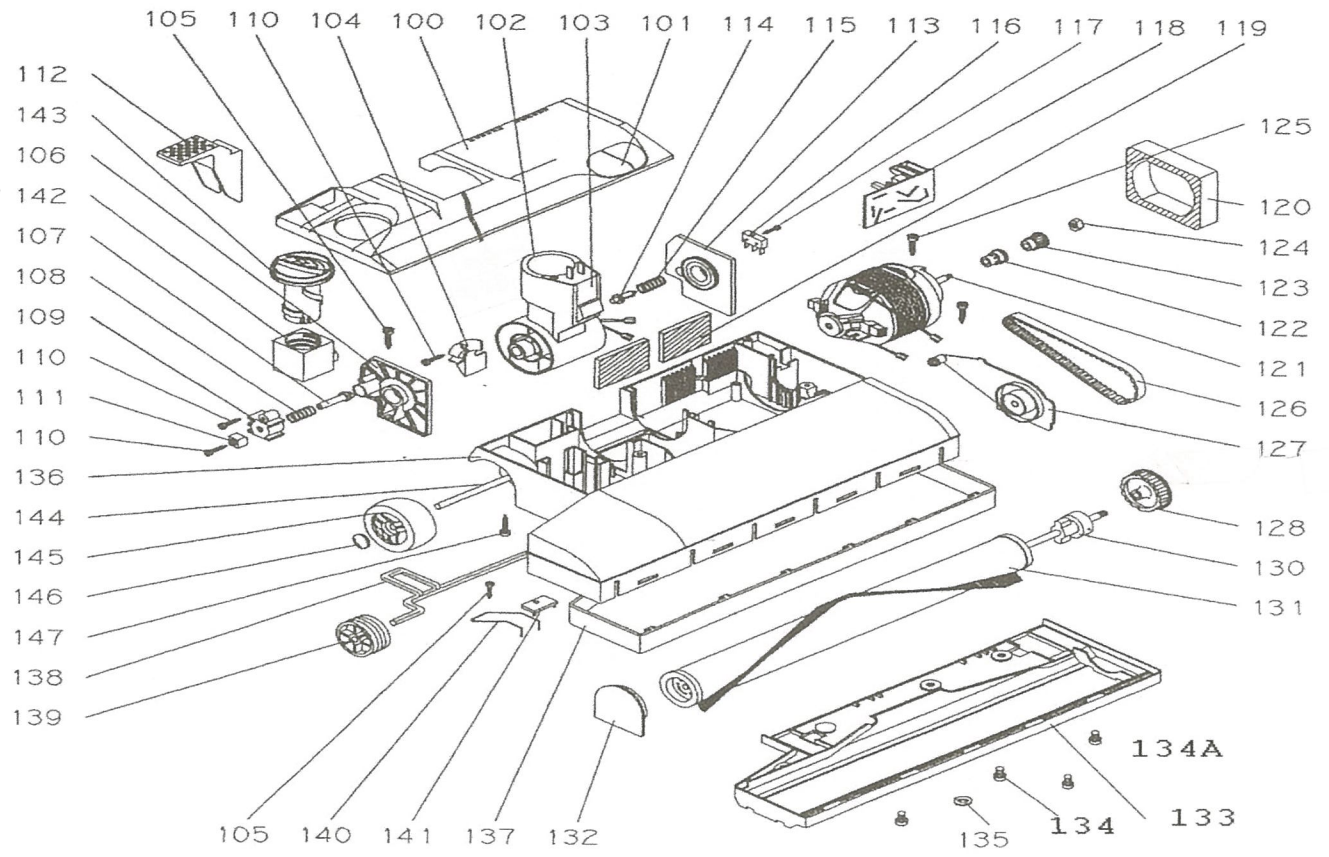
Pos	Part Number	Description
100_	,083960181	BASE HOUSING COVER DARK GREY
100_	,083963681	BASE HOUSING COVER WHITE
100_	,083960281	BASE HOUSING COVER LIGHT GREY
100A_	,085150081	THROAT COVER WITH SPRING, FELT STRIP
100B_	,011000017	THROAT COVER FELT STRIP [ONLY]
101	,083950081	LENS SET RED AND GREEN
102	,084170380	JOINT COMPLETE DOMESTIC 2 WIRE
103	083940080	KIT, BUTTON, FASTON, GUIDE, COVER (1 PC)
104	,003820005	JOINT PIN SLIDE
105	085590009A	SCREW 3.9x13 (SINGLE)
106	080430381	RIGHT CONNECTOR SUPPORT
107	000840036	PLUNGER
108	010390009	SPRING, DÉTENTE
109	000650036	BUSHING
110	085610009A	SCREW 2.9x16 (SINGLE)
111	000970305	SLIDE
112_	,001920205	FOOT PEDAL LIGHT GRAY
112_	,001920305	FOOT PEDAL BLACK
113	080440381	SUPPORT LEFT JOINT
114	000670036	SWITCH ACTIVATOR PIN
115	010480009	SPRING SWITCH ACTIVATOR PIN
116	020640000	MICROSWITCH
117	086950009A	SCREW 2.2x16 (SINGLE)
118_	,020610000	CIRCUIT BOARD M30 (12") V.120 W.180
118_	020370000	CIRCUIT BOARD M38 (14") 100/120V W.170
119	010720316	EXHAUST FILTER
120	010580016	FILTER BRUSH MOTOR
121_	050030080	BRUSH MOTOR R73/25V 120V 180W (12"-14")
121A_	021260000	CARBON BRUSH FOR BRUSH MOTOR R73 (SET OF TWO)
121B_	,015210009	NUT M5, BRUSH MOTOR
122	,002890029	METAL SPACER
123	,002880029	METAL PULLEY
124	,010490009	NUT, PINION
125	085560009A	SCREW 3.9x16 (SINGLE)
126	010790300	TIMING BELT 7mm
127	,080360011	TRANSMISSION LEFT SUPPORT WITH BEARINGS
128	,086160381	BRUSH PULLEY WITH METAL INSERT
130_	,080880081	BRUSH SHAFT M30 (12")
130_	,080890081	BRUSH SHAFT M38 (14")

131_	,081730301	BRUSH ROLLER M30 (12") 2 BRISTLE [STANDARD]
131_	,081710301	BRUSH ROLLER M30 (12") 1 BRISTLE
131_	,080620301	BRUSH ROLLER M38 (14") 1 BRISTLE [STANDARD]
132	,080370011	RIGHT BRUSH SUPPORT WITH BEARINGS
133_	005860333	BRUSH SHOE PLATE M30 (12")
133_	005870333	BRUSH SHOE PLATE M38 (14")
134	087491381A	ROLLER COVER CLIP (SINGLE)
135	085540009A	SCREW 3.5x9.5 TG (SINGLE)
136_	,087560181	BASE HOUSING DARK GREY WITH CLIPS M30 (12")
136_	,087563681	BASE HOUSING WHITE WITH CLIPS M30 (12")
136_	181664681	BASE HOUSING LIGHT GREY WITH CLIPS M38 (14")
137_	,000600212	BUMPER M30 (12") LIGHT GREY
137_	000590112	BUMPER M38 (14") DARK GRAY
138	011320029	FRONT AXLE
139	002260000	FRONT WHEEL RUBBER
140	010430009	SPRING
141	000680036	SPRING STOP PLATE
142	000990305	BRUSH HEIGHT ADJUSTER
143	,003750204	ADJUSTING KNOB LIGHT GREY
144	011380009	REAR AXLE
145	002270000	REAR BIG WHEEL RUBBER
146	012840009	WHEEL RETAINER CAP
147	086440009A	SCREW 3.5x19 (SINGLE)
	,003243001	DCS (DEEP CLEANING SYSTEM) CONVERTER

**ENCAPSULATION IS LOW MOISTURE CARPET CLEANING METHOD / USE VACUUM WITH DCS CONVERTER**

CHE-7000	PURE POWER / OXY-GEN - 12 QUARTS (ENCAPSULATION CARPET CLEANER)
MIS-7200	2 LITER – ALL ANGLE SPRAYER BOTTLE (DILUTE / APPLY CLEANERS)





PB 14" DP514, HCP





VIA BELGIO, 22 Z.I. - 35127 PADOVA - ITALY

Ph. +39 049 8700307 - Fax +39 049 8700605

e-mail: vacuum@lindhaus.it - www.lindhaus.it

Cod.Fiscale - P.IVA - Reg.Imp.PD 02151740285

Capitale Sociale 46.800,00 i.v.

**LINDHAUS U.S.A.**

P.O. BOX 159 / 12941 EAGLE CREEK PARKWAY  
SAVAGE, MN 55378

[www.lindhaususa.com](http://www.lindhaususa.com)

[www.lindhaus.net](http://www.lindhaus.net)

[info@lindhaus.com](mailto:info@lindhaus.com)

1-800-498-7526 / 952-707-1131

FAX: 952-707-1134

**PARTS LIST**

EFFECTIVE FROM

DATE

PAGE

1/2

**HEALTH CARE PRO - POWER BRUSH 12"-14"**

**MODEL: 031207 (HCP 12") / 031407 (HCP 14")**

Pos	Part Number	Description
100_	,083960181	MOTOR COVER DARK GREY
100_	,083963681	MOTOR COVER WHITE
100_	,083960281	MOTOR COVER LIGHT GREY
100A_	,085150081	THROAT COVER WITH SPRING, FELT STRIP
100B_	,011000017	THROAT COVER FELT STRIP [ONLY]
101	,083950081	LENS SET RED AND GREEN
102	,084170380	JOINT COMPLETE DOMESTIC 2 WIRE
103	083940080	KIT, BUTTON, FASTON, GUIDE, COVER (1 PC)
104	,002280305	JOINT PIN SLIDE
105	085590009A	SCREW 3.9x13 (SINGLE)
106	080430381	RIGHT CONNECTOR SUPPORT
107	000840036	PLUNGER
108	010390009	SPRING, DÉTENTE
109	000650036	BUSHING
110	085610009A	SCREW 2.9x16 (SINGLE)
111	000970305	SLIDE
112_	,001920105	FOOT PEDAL DARK GRAY
112_	,001920205	FOOT PEDAL LIGHT GRAY
112_	,001920305	FOOT PEDAL BLACK
113	080440381	SUPPORT LEFT JOINT
114	000670036	SWITCH ACTIVATOR PIN
115	010480009	SPRING SWITCH ACTIVATOR PIN
116	020640000	MICROSWITCH
117	086950009A	SCREW 2.2x16 (SINGLE)
118_	,020610000	CIRCUIT BOARD M30 (12") V.120 W.180
118_	020370000	CIRCUIT BOARD M38 (14") 100/120V W.170
119	010720316	EXHAUST FILTER
120	010580016	FILTER BRUSH MOTOR
121_	050030080	BRUSH MOTOR R73/25V 120V 180W (12"-14")
121A_	021260000	CARBON BRUSH FOR BRUSH MOTOR R73 (SET OF TWO)
121B_	,015210009	NUT M5, BRUSH MOTOR
122	,002890029	METAL SPACER
123	,002880029	METAL PULLEY
124_	,010340009	NUT M6
124_	,010490009	NUT, PINION
125	085560009A	SCREW 3.9x16 (SINGLE)
126	010790300	TIMING BELT 7mm
127	,080360011	TRANSMISSION LEFT SUPPORT WITH BEARINGS
128	,086160381	BRUSH PULLEY WITH METAL INSERT

130_	,080880081	BRUSH SHAFT M30 (12")
130_	,080890081	BRUSH SHAFT M38 (14")
131_	,081730301	BRUSH ROLLER M30 (12") 2 BRISTLE [STANDARD]
131_	,081710301	BRUSH ROLLER M30 (12") 1 BRISTLE
131_	,080620301	BRUSH ROLLER M38 (14") 1 BRISTLE [STANDARD]
132	,080370011	RIGHT BRUSH SUPPORT WITH BEARINGS
133_	,000570325	BRUSH SHOE PLATE M30 (12")
133_	,000560325	BRUSH SHOE PLATE M38 (14")
134	,010360009	SCREW M6x9
135	,011640009	STAR WASHER
136_	,080470181	BASE HOUSING DARK GREY M30 (12")
136_	,080470281	BASE HOUSING LIGHT GREY M30 (12")
136_	,080450181	BASE HOUSING DARK GREY M38 (14")
136_	,080450281	BASE HOUSING LIGHT GREY M38 (14")
136A_	,010670014	GROMMET, BRASS (SCREW THREADS)
137_	,000600112	BUMPER M30 (12") DARK GREY
137_	,000600212	BUMPER M30 (12") LIGHT GREY
137_	000590112	BUMPER M38 (14") DARK GRAY
138	011320029	FRONT AXLE
139	002260000	FRONT WHEEL RUBBER
140	010430009	SPRING
141	000680036	SPRING STOP PLATE
142	000990305	BRUSH HEIGHT ADJUSTER
143_	,003750104	ADJUSTING KNOB DARK GREY
143_	,003750204	ADJUSTING KNOB LIGHT GREY
144	011380009	REAR AXLE
145	002270000	REAR BIG WHEEL RUBBER
146	012840009	WHEEL RETAINER CAP
147	086440009A	SCREW 3.5x19 (SINGLE)