

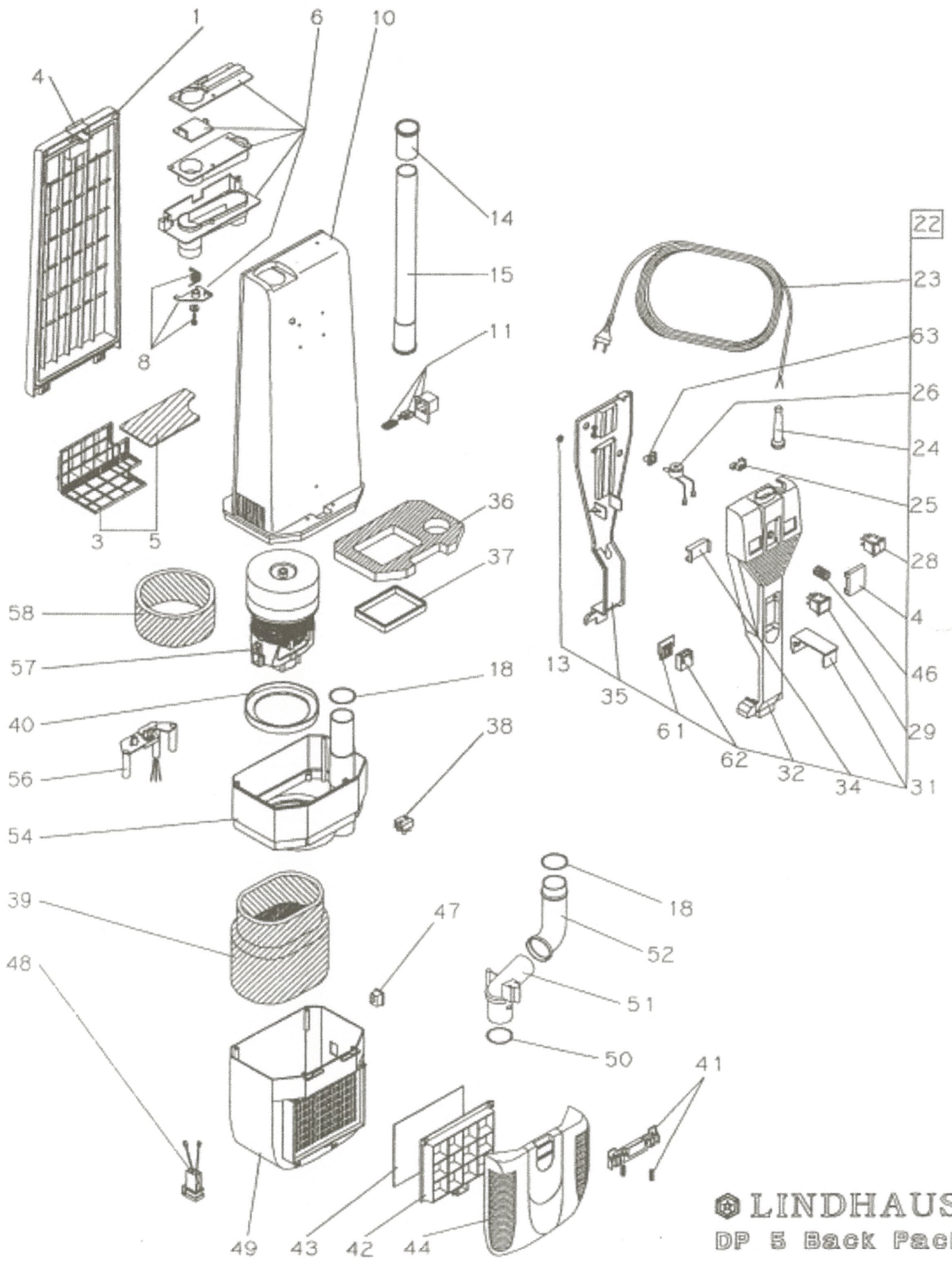
DP 5 HEPA

**LINDHAUS USA
P.O. BOX 159
SAVAGE, MN 55378**

**Spare Parts List
Suction Body
DP5 Hepa V. 120**

MAP N.	PART NO.	DESCRIPTION
DPH 01	080170281	BAG HOUSING COVER
DPH 03	000160304	FILTER HOLDER
DPH 04	082720281	BAG DOOR LATCH + SPRING
DPH 05	011410316	FILTER, INTERNAL FOAM
DPH 05	087170081	CARBON ACTIVE FILTER 5/PK
DPH 06	080150081	BAG ENTRANCE (OLD)
DPH 06	084360081	BAG ENTRANCE + SUPPORT
DPH 07	081270081	HANDLE BUTTON KIT (BUTTON+SUPPORT+SPRING)
DPH 07	084520081	BUTTON+SUPPORT+SPRING 2 POSITION (NEW)
DPH 08	084580081	SAFETY SUPPORT KIT
DPH 10	080180281	BAG HOUSING COMPLETE
DPH 11	080790081	RELIEF VALVE KIT
DPH 13	010260307	O-RING
DPH 14	000150307	SLEEVE TUBE
DPH 15	080840381	INTERNAL TUBE DP5
DPH 16	001690110	UPPER CORD HOOK
DPH 17	080770181	HANDLE GRIP (ONLY)
DPH 18	010270307	O-RING
DPH 19	084590081	CHROMATE TUBE - 2 POSITION W/ BUTTON LOCK
DPH 21	084420181	HANDLE TUBE ASSEMBLY
DPH 22	083442280	ELECTRIC SYSTEM ASSY DP5 HEPA
DPH 23	021950320	CORD 2x17 THIN, 2 PRONG, 2 WIRE
DPH 24	000460307	STRAIN RELIEF
DPH 25	000070305	CORD CLAMP
DPH 26	021340000	VACUUM SENSOR
DPH 28	020390300	MAIN SWITCH 15A
DPH 29	020020000	INDICATOR LIGHT
DPH 31	001880105	LOWER CORD HOOK MEDIUM GREY
DPH 32	086610281	HANDLE COVER WITHOUT ELECTRONIC
DPH 34	001980306	COMB WIRE HOLDER
DPH 35	001900201	FRAME HANDLE
DPH 36	010600016	FILTER UPPER DP5
DPH 37	000200308	MOTOR GASKET
DPH 38	020040400	TERMINAL BLOCK 2 POLES
DPH 39	011790016	FOAM MOTOR FILTER
DPH 40	000210308	MOTOR GASKET
DPH 41	084440181	BOTTOM COVER KIT
DPH 42	003360100	EXHAUST GRILL
DPH 43	085350081	MICROFILTER 12 PACK
DPH 44	083632281	FRONT GRILL
DPH 45	005200101	BUTTON DARK GREY
DPH 46	012980009	HANDLE SPRING
DPH 49	003290233	VACUUM MOTOR HOUSING

DPH 50	011810307	O-RING
DPH 51	083620080	CURVE SUPPORT
DPH 52	003390105	UPPER CURVE DP5 HEPA
DPH 54	083800181	INNER VACUUM MOTOR HOUSING
DPH 56	083670080	MOTOR CLAMP DP5 HEPA 2 WIRES
DPH 57	051350080	VACUUM MOTOR V. 120/60 W. 750
DPH 58	010220016	FILTER, FOAM MOTOR
DPH 61	002480003	4 CONTACT HOUSING COVER
DPH 62	002400003	4 CONTACT HOUSING
DPH 63	003230001	VACUUM SENSOR ADAPTOR
	022290000	CARBON BRUSH (CERAMIC), SET OF TWO
	030620019	DH3 BAGS (10 BAGS + 2 MICROFILTERS)
	030640000	HEPA FILTER
	030650000	CARBON ACTIVE FILTER
	083540100	BLOWER PORT



LINDHAUS
DP 5 Back Pack

LINDHAUS USA		Spare Parts List
		Suction Body
		DP5 Hepa Backpack V. 120/60
MAP N.	PART NO.	DESCRIPTION
DPH 01	080170281	BAG HOUSING COVER
DPH 03	000160304	FILTER HOLDER
DPH 04	082720281	BAG DOOR LATCH + SPRING
DPH 05	011410316	FILTER, INTERNAL FOAM
DPH 05	087170081	CARBON ACTIVE FILTER 5/PK
DPH 06	084360081	BAG ENTRANCE + SUPPORT
DPH 08	084580081	SAFETY SUPPORT KIT
DPH 10	080180281	BAG HOUSING COMPLETE
DPH 11	080790081	RELIEF VALVE KIT
DPH 13	010260307	O-RING
DPH 14	000150307	SLEEVE TUBE
DPH 15	080840381	INTERNAL TUBE DP5
DPH 18	010270307	O-RING
DPH 22	083442280	ELECTRIC SYSTEM ASSY DP5 HEPA
DPH 23	021950320	CORD 2x17 THIN, 2 PRONG, 2 WIRE
DPH 24	000460307	STRAIN RELIEF
DPH 25	000070305	CORD CLAMP
DPH 26	021340000	VACUUM SENSOR
DPH 28	020390300	MAIN SWITCH 15A
DPH 29	020020000	INDICATOR LIGHT
DPH 31	001880105	LOWER CORD HOOK MEDIUM GREY
DPH 32	086610281	HANDLE COVER WITHOUT ELECTRONIC
DPH 34	001980306	COMB WIRE HOLDER
DPH 35	001900201	FRAME HANDLE
DPH 36	010600016	FILTER UPPER DP5
DPH 37	000200308	MOTOR GASKET
DPH 38	020040400	TERMINAL BLOCK 2 POLES
DPH 39	011790016	FOAM MOTOR FILTER
DPH 40	000210308	MOTOR GASKET
DPH 41	084440181	BOTTOM COVER KIT
DPH 42	003360100	EXHAUST GRILL
DPH 43	085350081	MICROFILTER 12 PACK
DPH 44	083632281	FRONT GRILL
DPH 45	005200101	BUTTON DARK GREY
DPH 46	012980009	HANDLE SPRING
DPH 47	022600300	MAIN SWITCH
DPH 48	086730180	PLUG
DPH 49	086720233	VACUUM MOTOR HOUSING
DPH 50	011810307	O-RING
DPH 51	003380306	CURVE SUPPORT
DPH 52	003390105	UPPER CURVE DP5 HEPA
DPH 54	083800181	INNER VACUUM MOTOR HOUSING
DPH 56	086660080	MOTOR CLAMP DP5 HEPA BACK PACK 2 WIRES
DPH 57	050910080	VACUUM MOTOR R26 APSS V. 120/60 W. 750
DPH 58	010220016	FILTER, FOAM MOTOR
DPH 61	002480003	4 CONTACT HOUSING COVER
DPH 62	002400003	4 CONTACT HOUSING
DPH 63	003230001	VACUUM SENSOR ADAPTER
	022290000	CARBON BRUSH (CERAMIC), SET OF TWO
	030620019	DH3 BAGS (10 BAGS + 2 MICROFILTERS)
	030640000	HEPA FILTER
	030650000	CARBON ACTIVE FILTER
	083540100	BLOWER PORT
	086750000	HARNESS BACK PACK
	031400300	BACKPACK ACCESSORY BAG
	031410300	BACKPACK PAD WITH BELT