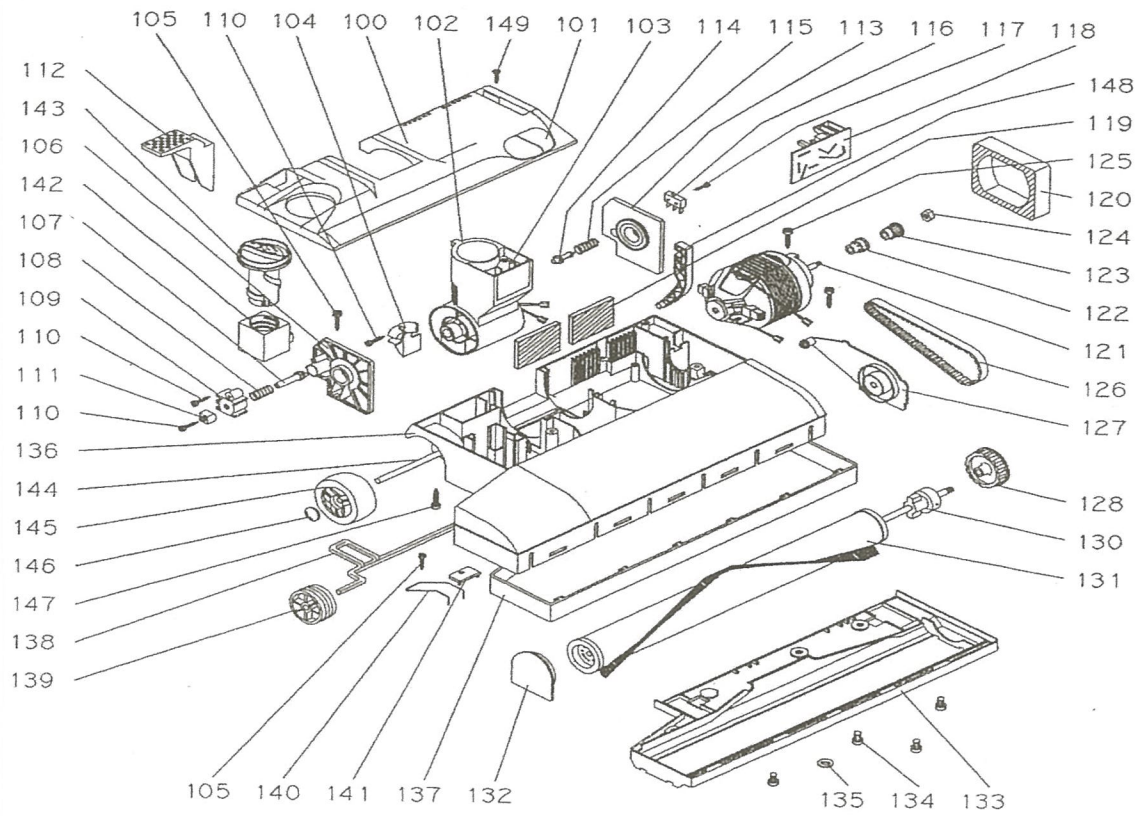




31	,001880105	LOWER CORD HOOK MEDIUM GREY
32	,086610281	HANDLE COVER WITHOUT ELECTRONIC
34	,001980306	COMB WIRE HOLDER
35	,001900201	FRAME HANDLE
36	010200016	FILTER, FOAM UPPER
37	000200308	GASKET
38	,020790400	TERMINAL BLOCK 4 POLES
39	011790016	FOAM MOTOR FILTER
40	,000210308	MOTOR GASKET
41	,082720281	BAG DOOR LATCH + SPRING
42_	085350081	EXHAUST MICROFILTER (12 PACK) [HF6/VAL/HCP/RX/CHP/ACT/DYN/DIA/LB4]
42_	030640000	HEPA FILTER
42_	,030650000	CARBON ACTIVE EXHAUST FILTER
43	003360100	EXHAUST GRILL
45	,083632281	FRONT GRILL [INCLUDES #64 BOTTOM COVER KIT]
46	003980133	BLOCKING JOINT PIN SUPPORT
47	010840009	JOINT PIN BLOCKING
48	,001500105	CONTROL PIN SLIDE
49	,003960233	VACUUM MOTOR HOUSING
50	001760331	LOWER CURVE
51	084610080	CURVE SUPPORT 3 WIRES
52	001750331	UPPER CURVE
53	010270307	O RING
54	,084620181	INNER VACUUM MOTOR HOUSING
55	003970133	HOSE INLET
56	,083500080	MOTOR CLAMP WITHOUT ELECTRONIC 4 WIRES
57_	051350080	VACUUM MOTOR R26APSS (HE) V.120/60 W.750
57A_	022290000	CARBON BRUSH R26 (CERAMIC) (SET OF TWO)
57B_	,022200000	THERMAL PROTECTOR
58	010220016	FILTER, FOAM MOTOR
59	030060310	CREVICE TOOL (D.38mm 1-1/2")
60	,030550300	TELESCOPIC WAND (D.38mm 1-1/2")
61	,002480003	4 CONTACT HOUSING COVER
62	,002400003	4 CONTACT HOUSING
63	,003230001	VACUUM SENSOR ADAPTOR
64	,084440181	BOTTON COVER KIT (1 PC)
65_	,031110300	UPHOLSTERY TOOL WITH NATURAL BRISTLE [COMPLETE] (D.38mm 1-1/2") [STANDARD]
65_	031740310	ROUND DUSTING BRUSH WITH NATURAL BRISTLES (D.38mm 1-1/2")
65_	,030820300	UPHOLSTERY TOOL WITH CENTER STRIP [COMPLETE] (D.38mm 1-1/2")
66	,030740300	UPHOLSTERY TOOL, BLACK CENTER STRIP BRUSH [ONLY]
67	,005200101	BUTTON DARK GREY
68	012980009	HANDLE SPRING
	,030610019	PH4 BAGS (10 BAGS + 2 MICROFILTERS)
	,083540100	BLOWER PORT [ACCESSORY TO CONVERT INTO BLOWER]
	_087392281	FELT PAD / HARD FLOOR TOOL M28F (D.38mm 1-1/2") [COMPLETE] [OLD STYLE]
	_080070081	HOSE CRUSHPROOF 5 FT (D.38mm 1-1/2")
	_086700081	HOSE CRUSHPROOF 9 FT (D.38mm 1-1/2")
	_030850310	EXTENSION TUBE (D.38mm 1-1/2")



CH PRO  
 12" \_14"  
 POWER NOZZLE



VIA BELGIO, 22 Z.I. - 35127 PADOVA - ITALY

Ph. +39 049 8700307 - Fax +39 049 8700605

e-mail: vacuum@lindhaus.it - www.lindhaus.it

Cod.Fiscale - P.IVA - Reg.Imp.PD 02151740285

Capitale Sociale 46.800,00 i.v.

**LINDHAUS U.S.A.**

P.O. BOX 159 / 12941 EAGLE CREEK PARKWAY  
SAVAGE, MN 55378

[www.lindhaususa.com](http://www.lindhaususa.com)

[www.lindhaus.net](http://www.lindhaus.net)

[info@lindhaus.com](mailto:info@lindhaus.com)

1-800-498-7526 / 952-707-1131

FAX: 952-707-1134

**PARTS LIST**

EFFECTIVE FROM

DATE

PAGE

1/2

**CH PRO - POWER BRUSH 12"(300) / 14"(380)**

**MODEL: 031208 (CHPRO 12") / 031408 (CHPRO 14")**

Pos	Code	Description
100	,084010281	BASE HOUSING COVER
100A_	,085150081	THROAT COVER WITH SPRING, FELT STRIP (2 PCS)
100B_	,011000017	THROAT COVER FELT STRIP [ONLY]
101	,083950081	LENS SET RED AND GREEN
102	,084180380	JOINT COMPLETE 12"/14" (NEW COVER)
103	082490080	MALE ELEC. CONNECTION SET 120V 3 PRONG
104	,003820005	JOINT PIN SLIDE
105	,086450009A	SCREW 3.9x13 TG (SINGLE)
106	080430381	RIGHT CONNECTOR SUPPORT
107	000840036	PLUNGER
108	010390009	SPRING, DÉTENTE
109	000650036	BUSHING
110	085610009A	SCREW 2.9x16 (SINGLE)
111	000970305	SLIDE
112	,001920105	FOOT PEDAL DARK GRAY
113	080440381	SUPPORT LEFT JOINT
114	000670036	SWITCH ACTIVATOR PIN
115	010480009	SPRING SWITCH ACTIVATOR PIN
116	020640000	MICROSWITCH
117	086950009A	SCREW 2.2x16 (SINGLE)
118_	,020610000	CIRCUIT BOARD M30 (12") V.120 W.180
118_	020370000	CIRCUIT BOARD M38 (14") 100/120V W.170
119	010720316	EXHAUST FILTER
120	010580016	FILTER, BRUSH MOTOR
121_	050030080	BRUSH MOTOR R73/25V 120V 180W (12"-14")
121A_	021260000	CARBON BRUSH FOR BRUSH MOTOR R73 (SET OF TWO)
121B_	,015210009	NUT M5, BRUSH MOTOR
122	,002890029	METAL SPACER
123	,002880029	METAL PULLEY
124	,010490009	NUT, PINION
125	085560009A	SCREW 3.9x16 (SINGLE)
126	010790300	TIMING BELT 7mm
127	,080360011	TRANSMISSION LEFT SUPPORT WITH BEARINGS
128	,086160381	BRUSH PULLEY WITH METAL INSERT
130_	,080880081	BRUSH SHAFT M30 (12")

130_	,080890081	BRUSH SHAFT M38 (14")
131_	,081730301	BRUSH ROLLER M30 (12") 2 BRISTLE [STANDARD]
131_	,081710301	BRUSH ROLLER M30 (12") 1 BRISTLE
131_	,080620301	BRUSH ROLLER M38 (14") 1 BRISTLE [STANDARD]
132	,080370011	RIGHT BRUSH SUPPORT WITH BEARINGS
133_	,000570325	BRUSH SHOE PLATE M30 (12")
133_	,000560325	BRUSH SHOE PLATE M38 (14")
134	,010360009	SCREW M6x9
135	,011640009	STAR WASHER
136_	,080470281	BASE HOUSING LIGHT GREY M30 (12")
136_	,080450281	BASE HOUSING LIGHT GREY M38 (14")
136A_	,010670014	GROMMET, BRASS (SCREW THREADS)
137_	,000600112	BUMPER M30 (12") DARK GREY
137_	000590112	BUMPER M38 (14") DARK GRAY
138	011320029	FRONT AXLE
139	002260000	FRONT WHEEL RUBBER
140	010430009	SPRING
141	000680036	SPRING STOP PLATE
142	000990305	BRUSH HEIGHT ADJUSTER
143	,003750104	ADJUSTING KNOB DARK GREY
144	011380009	REAR AXLE
145	002270000	REAR BIG WHEEL RUBBER
146	012840009	WHEEL RETAINER CAP
147	086440009A	SCREW 3.5x19 (SINGLE)
148	,001580304	SIDE LEVER
149	,011420009A	SCREW 3.9x13 TSP+ (SINGLE)
PBR	,094202280	CH PRO M30-PB 12" POWER BRUSH REPLACEMENT [COMPLETE]
PBR	,096092280	CH PRO M38-PB 14" POWER BRUSH REPLACEMENT [COMPLETE]