

ARIA BODY



VIA BELGIO, 22 Z.I. - 35127 PADOVA - ITALY

Ph. +39 049 8700307 - Fax +39 049 8700605

e-mail: vacuum@lindhaus.it - www.lindhaus.it

Cod.Fiscale - P.IVA - Reg.Imp.PD 02151740285

Capitale Sociale 46.800,00 i.v.

LINDHAUS U.S.A.

P.O. BOX 159 / 12941 EAGLE CREEK PARKWAY
SAVAGE, MN 55378

www.lindhaususa.com

www.lindhaus.net

info@lindhaus.com

1-800-498-7526 / 952-707-1131

FAX: 952-707-1134

PARTS LIST

EFFECTIVE FROM

DATE

PAGE

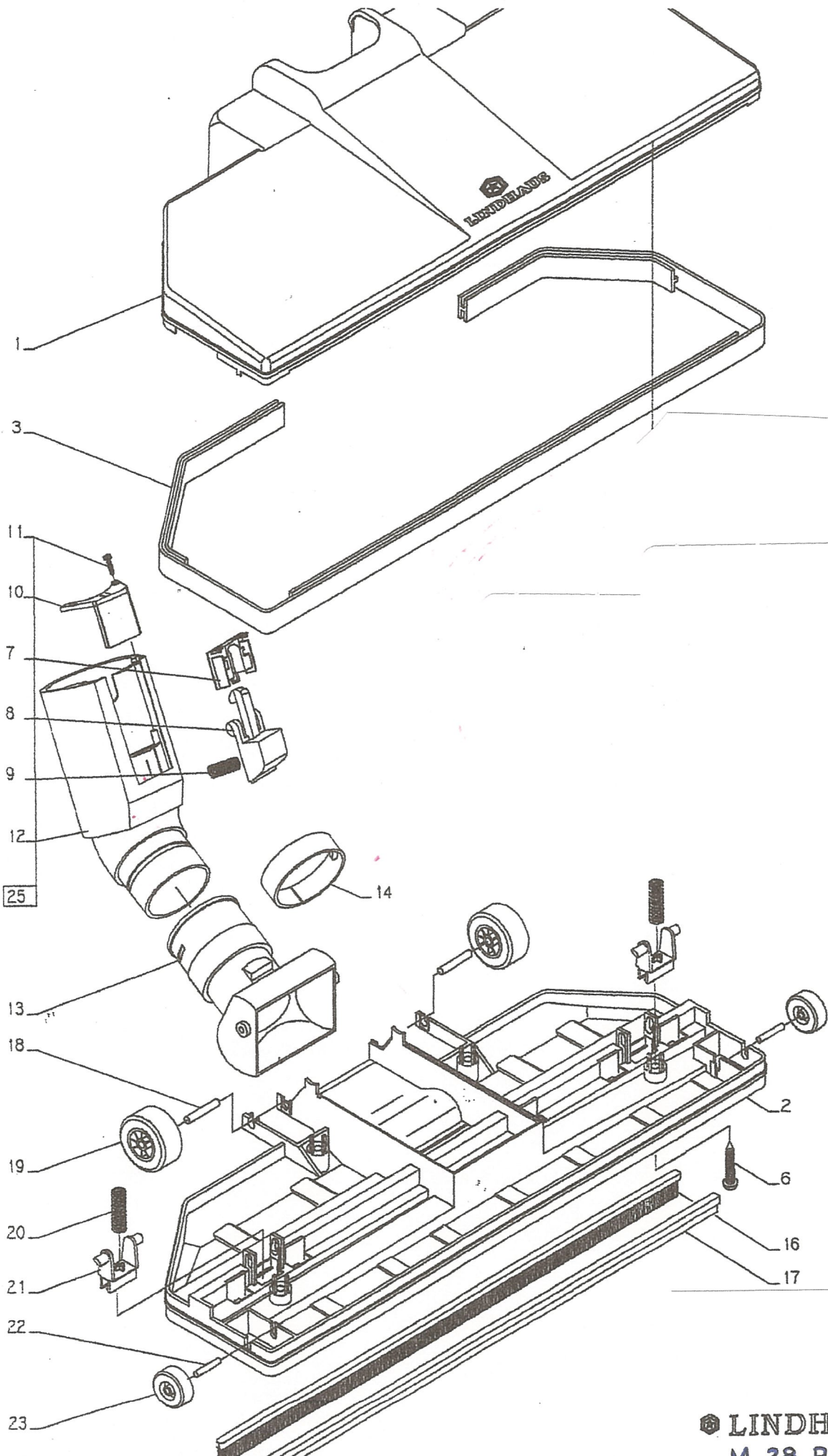
1/2

ARIA - BODY

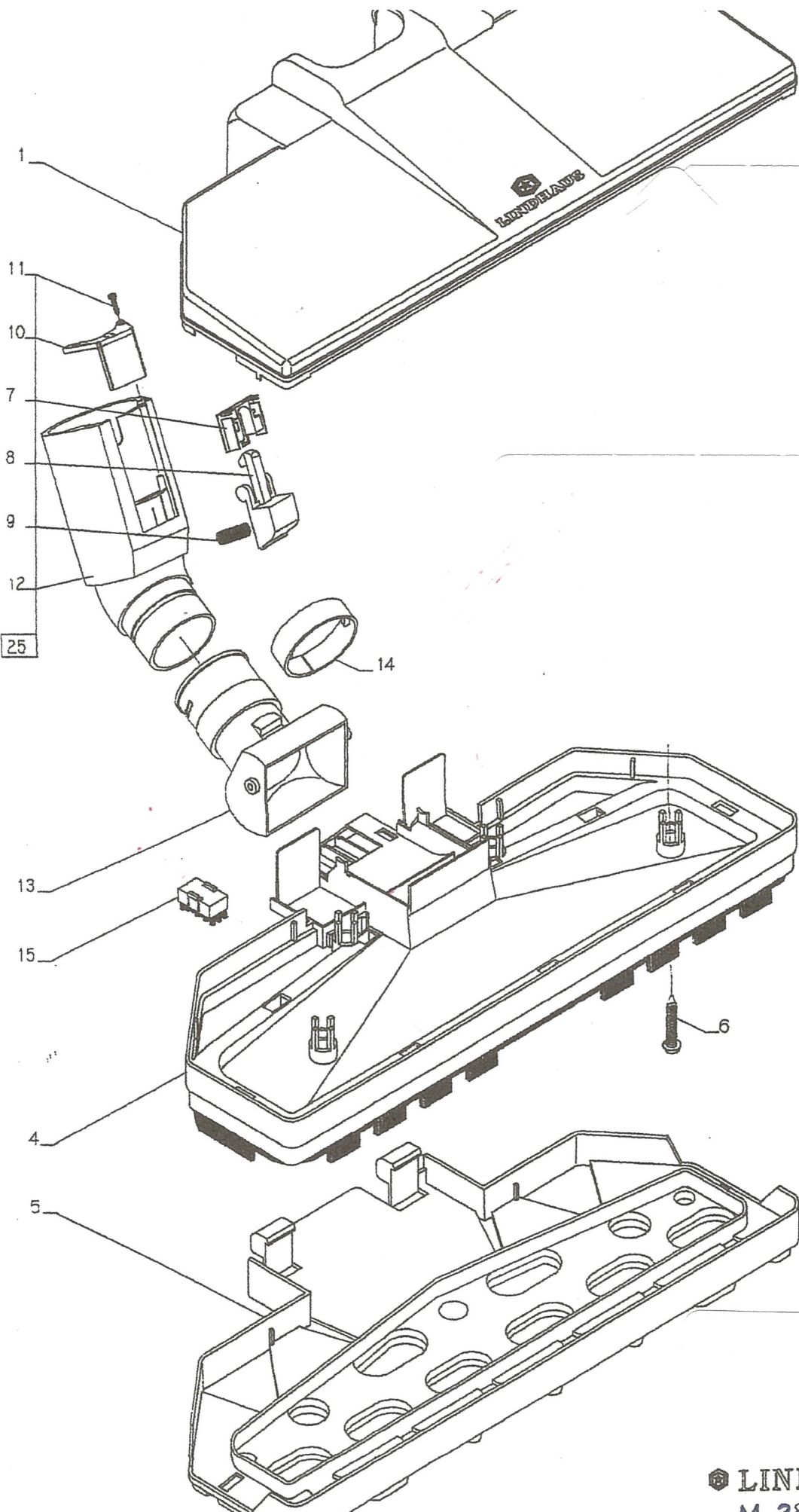
MODEL: 141119E (ARIA RED) / 141119E+PB12e (ARIA ELITE) / 141119P+PB12e (ARIA PLATINUM)

Pos	Part Number	Description
1	,006271221	LOWER HOUSING
2	,006281612	BUMPER
3	,006291621	LOWER HANDLE
4	,087690081	WHEEL KIT (3 PCS)
5_	,023210000	CIRCUIT BOARD (ARIA RED / ARIA ELITE)
5_	,023200000	CIRCUIT BOARD (ARIA PLATINUM)
6	,006311600	LOWER PARKING SUPPORT
7	,088050000	HEPA FILTER WITH CLIP (ARIA)
8	,087701281	EXHAUST FILTER COVER
9	,087711681	BUTTONS KIT (+ / -) ARIA (2 PCS)
10_	,051230080	VACUUM MOTOR - V120/60 W1200
10A_	,023820000	CARBON BRUSHES (SET OF 2)
10B_	,022200000	THERMAL PROTECTOR
11_	,087721681	BAG SUPPORT
11A_	,014000009	SPRING, BAG SUPPORT
12_	,088120081	FILTER, MOTOR PROTECT (5 PACK)
12_	,088110081	FILTER, CARBON ACTIVE MOTOR PROTECT (5 PACK)
13	,087750000	WIRES KIT WITH CONNECTOR AND PTC
14	,006360300	MOTOR HOUSING
15	,087730000	FULL BAG INDICATOR COMPLETE
16	,006400301	PLUG STOP PLATE
17	,023270320	CORD WINDER
18_	,006410001	BAG HOUSING COVER RED (ARIA RED)
18_	,006413601	BAG HOUSING COVER WHITE (ARIA ELITE)
18_	,006412601	BAG HOUSING COVER BLUE (ARIA PLATINUM)
19	,088151681	LEVER, LARGE (2 PCS)
20	,006431621	UPPER HANDLE
21_	,006443001	UPPER HOUSING RED (ARIA RED)
21_	,006443601	UPPER HOUSING WHITE (ARIA ELITE)
21_	,006442601	UPPER HOUSING BLUE (ARIA PLATINUM)
22	,022140000	MAIN SWITCH
23	,087990081	FOOT PEDALS KIT (4 PCS)
24	,087970081	GASKET KIT, MOTOR (2 PCS)

25	,088130181	FILTER GRILL
26	,087960081	HOOK KIT BAG COVER (2 PCS)
27	,088100081	EXHAUST FILTER, CARBON ACTIVE (5 PACK)
28	,088000081	HOOK ACCESS COVER KIT (2 PCS)
29	,013620316	MOTOR HOUSING FILTER
30	,031260310	CREVICE TOOL (D.32mm 1-1/4")
31_	,031750310	UPHOLSTERY TOOL WITH CENTER STRIP [COMPLETE] (D.32mm 1-1/4")
31A_	030740300	UPHOLSTERY TOOL - CENTER STRIP [ONLY]
32	,031270310	ROUND DUSTING BRUSH WITH NATURAL BRISTLES (D.32mm 1-1/4")
33_	,087683081	TOOLS COVER RED (ARIA RED)
33_	,087683681	TOOLS COVER WHITE (ARIA ELITE)
33_	,087682681	TOOLS COVER BLUE (ARIA PLATINUM)
34	,013300009	SPRING TOOLS COVER
35_	,044860022	DISPLAY CARDBOARD V.120 RED (ARIA RED)
35_	,044870022	DISPLAY CARDBOARD V.120 WHITE (ARIA ELITE)
36	,006500000	DISPLAY COVER (ARIA RED / ARIA ELITE)
37	,005141601	ADJUSTING KNOB
38	,044880022	DISPLAY CARDBOARD V.120 BLUE (ARIA PLATINUM)
39	,006520000	DISPLAY COVER - ARIA PLATINUM
40	,007321600	GRILL, MOTOR PROTECT FILTER
41	085590009A	SCREW 3.9x13 (SINGLE)
42	085560009A	SCREW 3.9x16 (SINGLE)
43	,085580009A	SCREW 3.9x19 (SINGLE)
44	087260009A	SCREW 3.9x22 (SINGLE)
45	,087740009A	SCREW 3.9x45 (SINGLE)
47	088020009A	SCREW 3.5x13 (SINGLE)
48_	,088030381	FLEXIBLE HOSE COMPLETE (STRAIGHT SUCTION)
48_	180280381	ELECTRIFIED HOSE COMPLETE (POWER TEAM)
	,031680000	ELECTRIFIED TELESCOPIC WAND (QUICK RELEASE POWER TEAM)
	,023850300	INTERNAL CORD, ELECTRIFIED TELESCOPIC WAND [PART OF ABOVE WAND]
	,031690000	TELESCOPIC WAND (STRAIGHT SUCTION)
	_031910300	WAND LOCKING MECHANISM - ARIA
	_086503681	HARD FLOOR TOOL M28F WHITE - ARIA ELITE (D.32mm 1-1/4") [COMPLETE]
	_086493681	FELT FLOOR TOOL M28F WHITE - ARIA ELITE (D.32mm 1-1/4") [COMPLETE]
	_086502681	HARD FLOOR TOOL M28F BLUE - ARIA PLATINUM (D.32mm 1-1/4") [COMPLETE]
	_086492681	FELT FLOOR TOOL M28F BLUE - ARIA PLATINUM (D.32mm 1-1/4") [COMPLETE]
	_086490381	FELT FLOOR TOOL M28F - ARIA BLACK (D.32mm 1-1/4") [COMPLETE]
PB	190813680	PB12"QR / POWER BRUSH REPLACEMENT ECO FORCE (ARIA ELITE / WHITE) [COMPLETE]



LINDHAUS
M 28 R





VIA BELGIO, 22 Z.I. - 35127 PADOVA - ITALY

Ph. +39 049 8700307 - Fax +39 049 8700605

e-mail: vacuum@lindhaus.it - www.lindhaus.it

Cod.Fiscale - P.IVA - Reg.Imp.PD 02151740285

Capitale Sociale 46.800,00 i.v.

LINDHAUS U.S.A.

P.O. BOX 159 / 12941 EAGLE CREEK PARKWAY
SAVAGE, MN 55378

www.lindhaususa.com

www.lindhaus.net

info@lindhaus.com

1-800-498-7526 / 952-707-1131

FAX: 952-707-1134

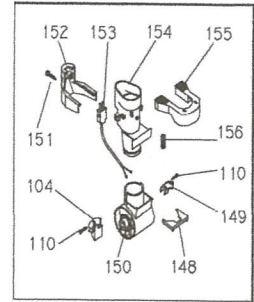
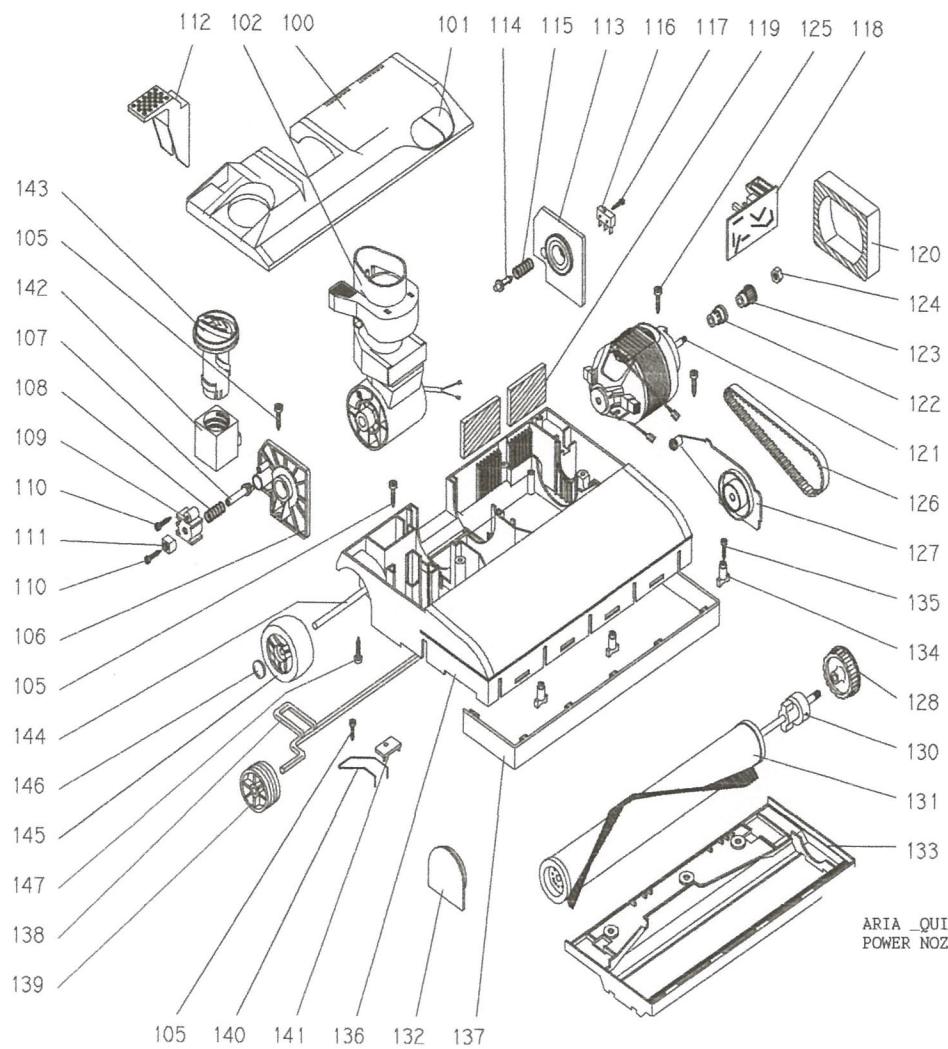
PARTS LIST

EFFECTIVE FROM DATE PAGE
01/01/1999 **01/01/1999** **1 OF 1**

ARIA - HARD FLOOR TOOL / FELT FLOOR TOOL

MODEL: 141119E (ARIA RED) / 141119E+PB12e (ARIA ELITE) / 141119P+PB12e (ARIA PLATINUM)

Pos	Part Number	Description
1_	,003000201	COVER M28 LIGHT GREY
1_	,003002501	COVER M28 SILVER RED
1_	,003002601	COVER M28 SILVER BLUE
2	,002960304	BASE M28R
3	,003060107	BUMPER, RUBBER
4	,082800181	BASE, M28F WITH BRISTLES (FELT FLOOR TOOL)
5	,082660081	FELT PAD, REPLACEMENT M28F (FELT FLOOR TOOL)
6	,010510009	SCREW 3.9x22 (SINGLE)
7	,000320306	CONTACTS GUIDE
8	,000350306	HOOK
9	,010730009	SPRING M28
10	,000330306	BLOCKING GUIDE BRACKET
11	,010460009	SCREW 2.9x19 (SINGLE)
12	,082810381	CONNECTOR + CURVE M28
13	,003030300	JOINT M28
14	,002990336	CLIP M28
15	,060030381	REAR BRUSH, M28F (FELT FLOOR TOOL)
16	,030500000	BASE BRISTLES M28R
17	,003040307	SQUEEGEE M28R
18	,011570009	PIN, BIG WHEEL M28R
19	,002980300	WHEEL, BIG M28R
20	,011580009	SPRING, STRIP M28R
21	,003050304	SUPPORT, STRIP M28R
22	,011670009	PIN, SMALL WHEEL M28R
23	,002970300	WHEEL, SMALL M28R
25	,082770381	JOINT COMPLETE M28 (D.32mm 1-1/4")
	_086490381	FELT FLOOR TOOL M28F - ARIA BLACK (D.32mm 1-1/4") [COMPLETE]
	_086503681	HARD FLOOR TOOL M28F WHITE - ARIA ELITE (D.32mm 1-1/4") [COMPLETE]
	_086493681	FELT FLOOR TOOL M28F WHITE - ARIA ELITE (D.32mm 1-1/4") [COMPLETE]
	_086502681	HARD FLOOR TOOL M28F BLUE - ARIA PLATINUM (D.32mm 1-1/4") [COMPLETE]
	_086492681	FELT FLOOR TOOL M28F BLUE - ARIA PLATINUM (D.32mm 1-1/4") [COMPLETE]



ARIA _QUICK RELEASE
POWER NOZZLE 12" _14"

128	,086160381	BRUSH PULLEY WITH METAL INSERT
130_	,080880081	BRUSH SHAFT M30 (12")
131_	,081710301	BRUSH ROLLER M30 (12") 1 BRISTLE [STANDARD]
131_	,081730301	BRUSH ROLLER M30 (12") 2 BRISTLE
132	,080370011	RIGHT BRUSH SUPPORT WITH BEARINGS
133_	005860333	BRUSH SHOE PLATE M30 (12")
134	087491381A	ROLLER COVER CLIP (SINGLE)
135	085540009A	SCREW 3.5x9.5 TG (SINGLE)
136_	,087563681	BASE HOUSING M30 (12") WHITE (ARIA ELITE)
136_	,087562681	BASE HOUSING M30 (12") BLUE (ARIA PLATINUM)
137_	000600112	BUMPER M30 (12") DARK GRAY
138	011320029	FRONT AXLE
139	002260000	FRONT WHEEL RUBBER
140	010430009	SPRING
141	000680036	SPRING STOP PLATE
142	000990305	BRUSH HEIGHT ADJUSTER
143	003750104	ADJUSTING KNOB DARK GREY
144	011380009	REAR AXLE
145	002270000	REAR BIG WHEEL RUBBER
146	012840009	WHEEL RETAINER CAP
147	086440009A	SCREW 3.5x19 (SINGLE)
148	,007160305	JOINT COVER QUICK RELEASE
149	,005930305	BLOCKING JOINT QUICK RELEASE
150	,005890305	LOWER JOINT QUICK RELEASE
151	088020009A	SCREW 3.5x13 (SINGLE)
152	,007170305	COVER CABLE JOINT QUICK RELEASE
153	,023320320	CORD, POWER 11.22" QUICK RELEASE
154	,007150305	UPPER JOINT QUICK RELEASE
155	,007180133	FOOT PEDAL JOINT QUICK RELEASE
156	,011070009	SPRING, FOOT PEDAL QUICK RELEASE
	,003243001	DCS (DEEP CLEANING SYSTEM) CONVERTER
	,031910300	WAND LOCKING MECHANISM - ARIA
	180280381	ELECTRIFIED HOSE COMPLETE (POWER BRUSH)
	,031680000	ELECTRIFIED TELESCOPIC WAND (QUICK RELEASE POWER TEAM)
	,023850300	INTERNAL CORD, ELECTRIFIED TELESCOPIC WAND [PART OF ABOVE WAND]
PB	190813680	PB12"QR / POWER BRUSH REPLACEMENT ECO FORCE (ARIA ELITE / WHITE) [COMPLETE]

ENCAPSULATION IS LOW MOISTURE CARPET CLEANING METHOD / USE VACUUM WITH DCS CONVERTER

CHE-7000	PURE POWER / OXY-GEN - 12 QUARTS (ENCAPSULATION CARPET CLEANER)
MIS-7200	2 LITER – ALL ANGLE SPRAYER BOTTLE (DILUTE / APPLY CLEANERS)